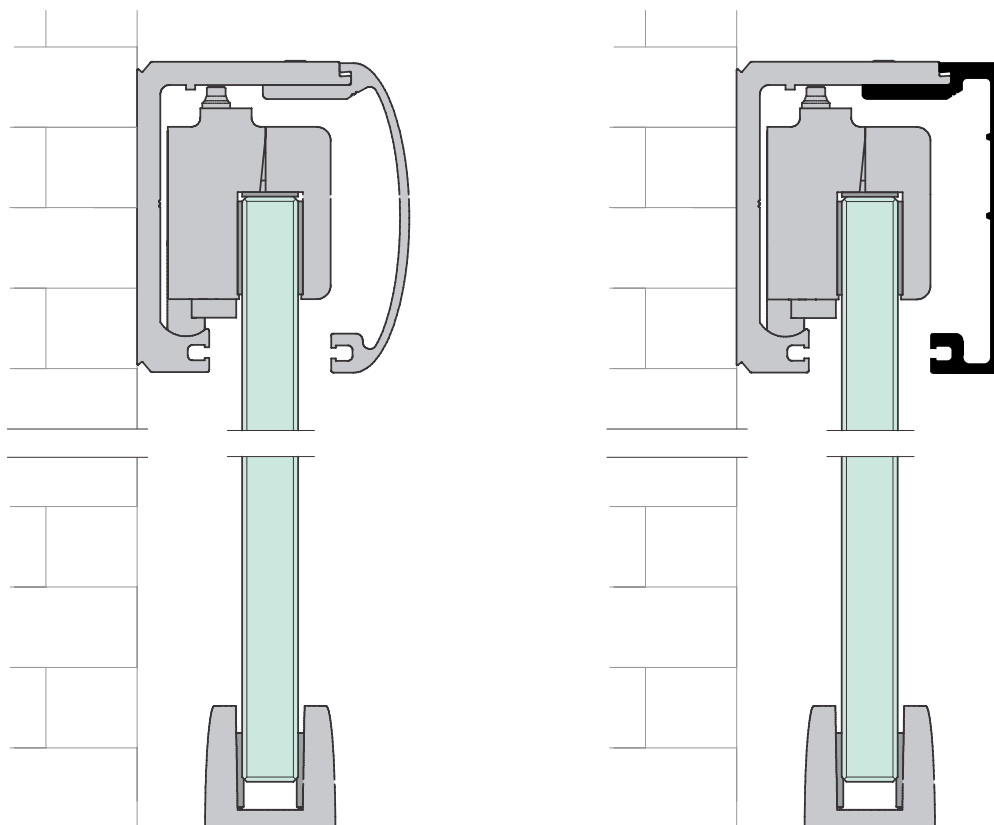




vitris

Track fixed to wall



These assembly instructions describe the wall attachment of one-sash and two-sash sliding doors using the Portavant glass sliding door fittings.

Intended use

The Portavant glass sliding door fittings are suitable for the attachment of glass sliding doors made of toughened glass and laminated safety glass.

The surface of the glass sash must not have any modifications reducing surface friction. Patterned glass must not be used. The fixing (clamping) of sated glass (basis: tempered glass or laminated safety glass) is admitted. The glass sliding door fittings must only be assembled by specialists with experience in the installation of glass

sliding doors.

For the competent and stable fixation to the building structure and the selection of the fixing material, specialist personnel is required.



Risk of injury!

The sashes are heavy. Errors in assembly can lead to serious injury.

- Keep to the sequence prescribed in these assembly instructions.
- Observe, in particular, all notes flagged with the warning triangle.
- Recommendation: Use the safety set described on page 14 if the weight of a sash exceeds 80 kg.

Any notes from the glass manufacturer should also be observed.

Portavant 120 - instrucțiuni de montaj

Uși glisante din sticlă, fără ramă și fără șină inferioară



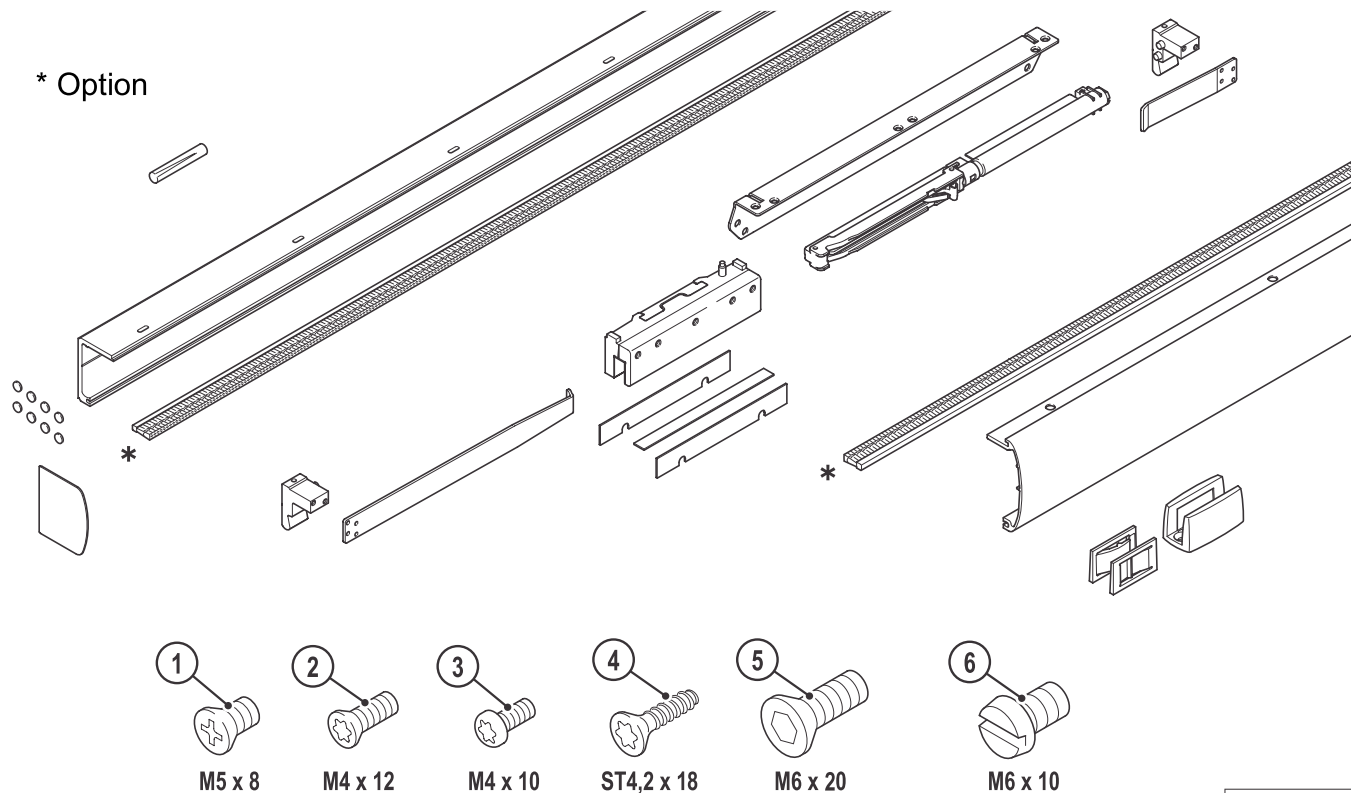
ACCESORIA GROUP

House of innovation

vitris


Important in information

Scope of delivery



1005.EV166.221

Important notes

Glass thicknesses (Nominal dimension)		
ESG ¹⁾	VSG ¹⁾	 <p>The maximum height-width ratio of the sashes is 2.5:1. The maximum sash weight is 80 kg with cushioning system / 120 kg without cushioning system.</p>
8 mm	8,76 mm	
10 mm	10,76 mm	
12 mm	12,76 mm	

- 1) ESG: Toughened glass
VSG: Laminated safety glass

Portavant 120 - instrucțiuni de montaj

Uși glisante din sticlă, fără ramă și fără șină inferioară



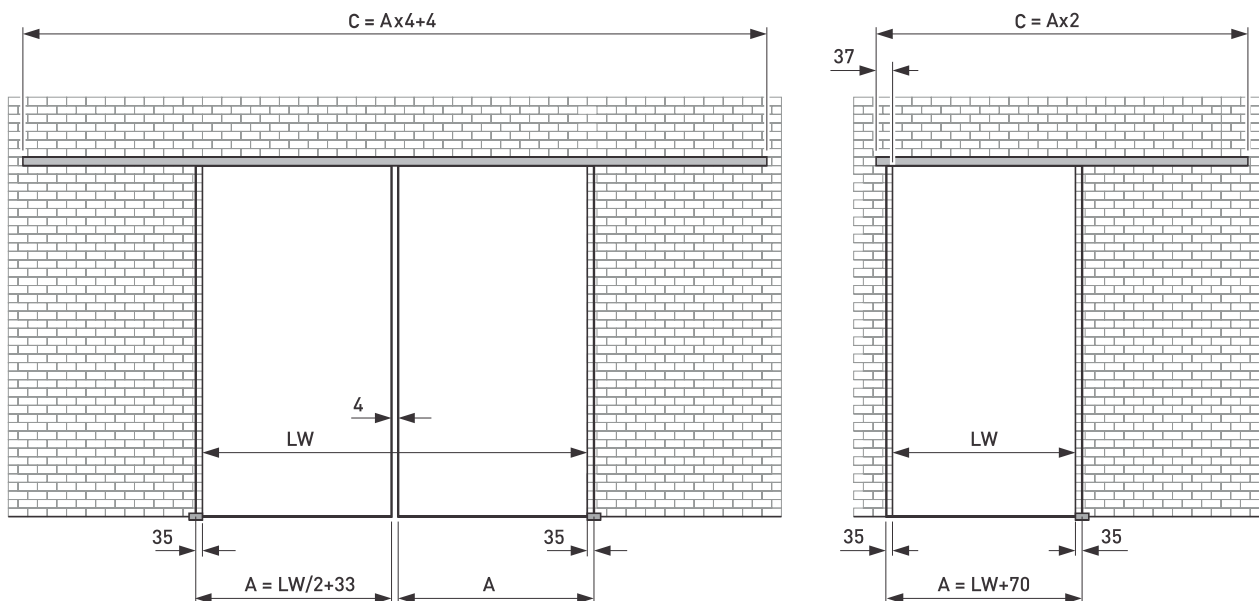
ACCESORIA GROUP

House of innovation

vitris

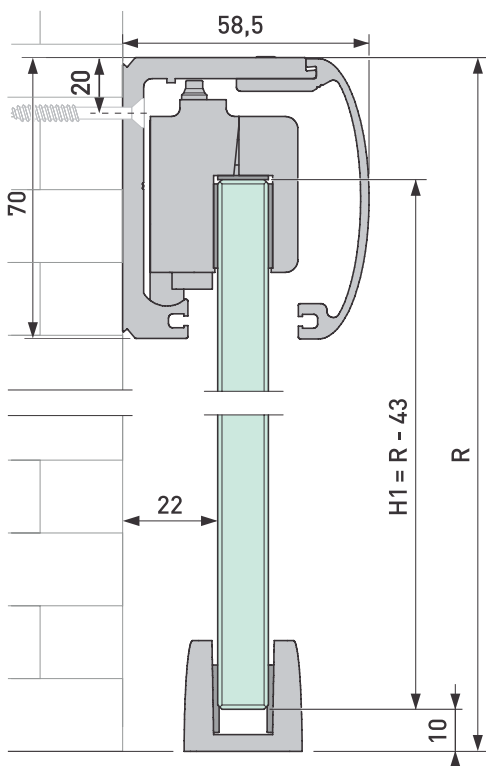
Planning criteria

Dimensions



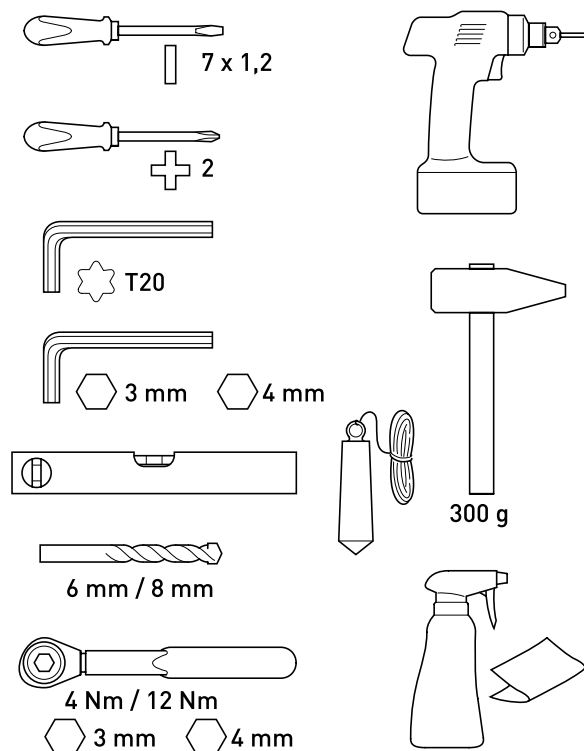
1005.EV166.216

Sash height



1102.EV166.287

Tools

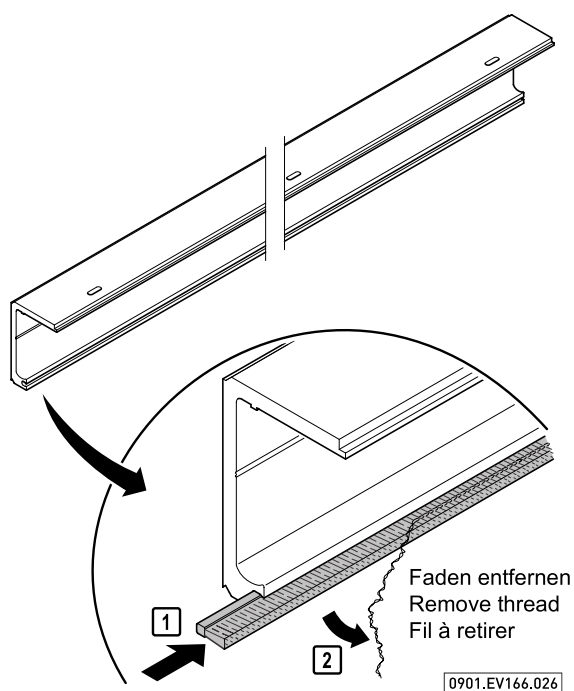


0811.EV166.003

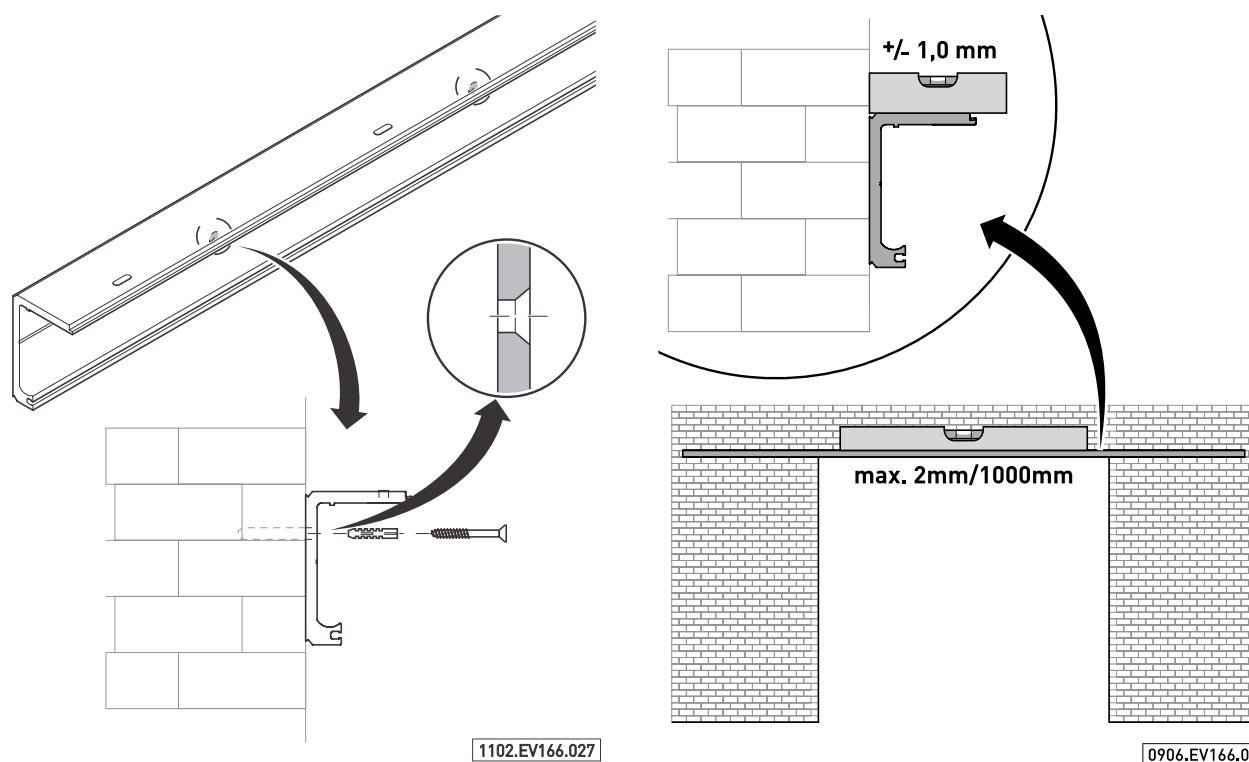
vitris

Top track

Optional assembly



Assembly



Portavant 120 - instrucțiuni de montaj

Uși glisante din sticlă, fără ramă și fără șină inferioară

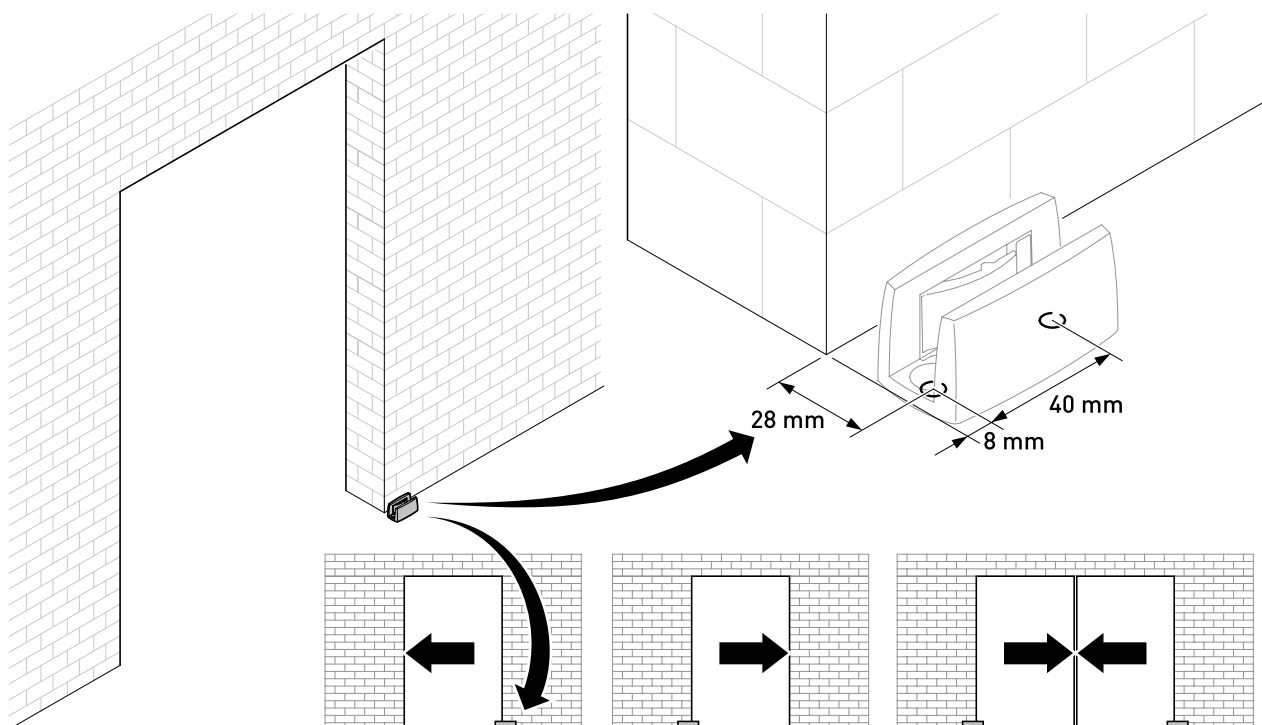


ACCESORIA GROUP
House of innovațjon

vitris

Floor-guide

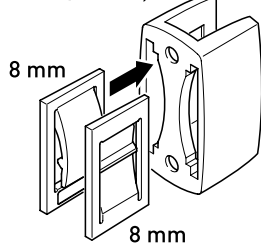
Drill holes for floor-guide



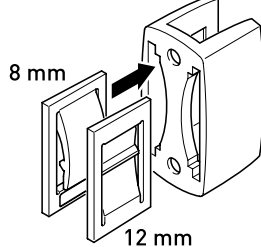
0906.EV166.006

Assembly of floor-guide

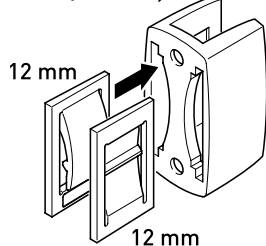
ESG 8 / VSG 8,76



ESG 10 / VSG 10,76

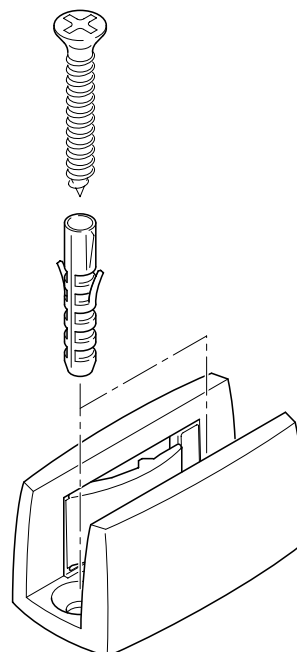


ESG 12 / VSG 12,76



ESG
Toughened glass
Verre de sécurité simple

VSG
Laminated safety glass
Verre de sécurité feuilleté



0811.EV166.007



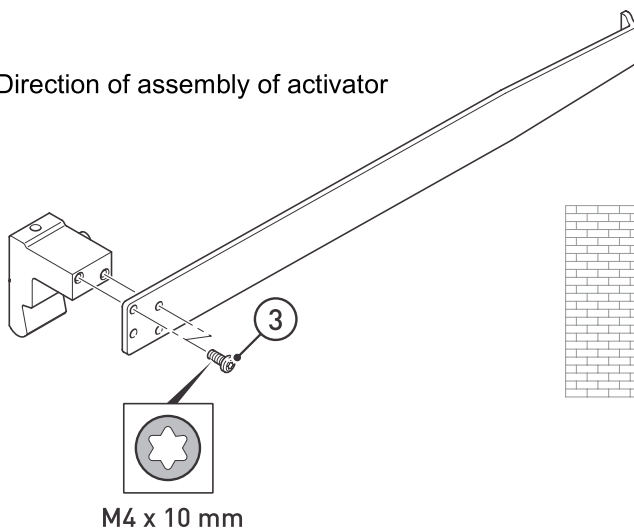
vitris

Activator and return stop

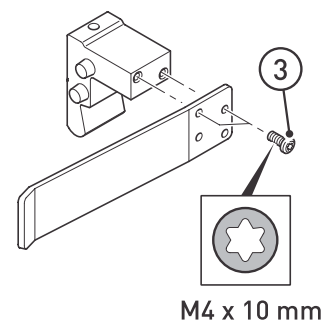
Variation:

Cushioning on left side only

Direction of assembly of activator



Direction of assembly of return stop

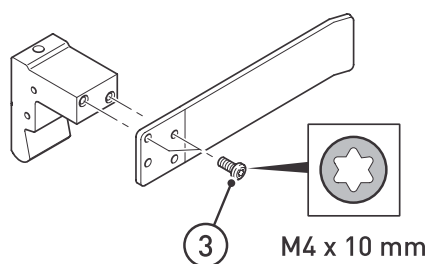


0910.EV166.081

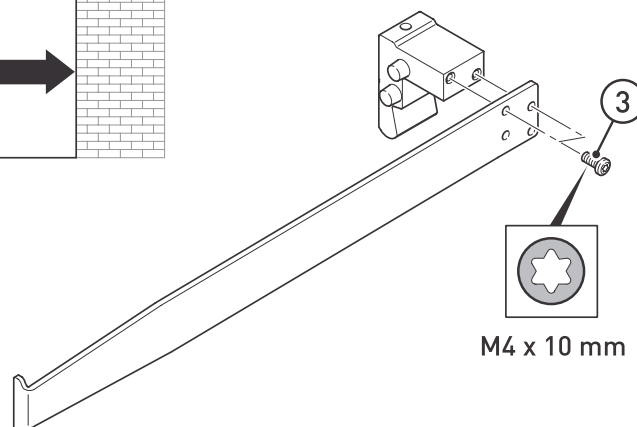
Variation:

Cushioning on right side only

Direction of assembly of return stop



Direction of assembly of activator



0910.EV166.082



vitris

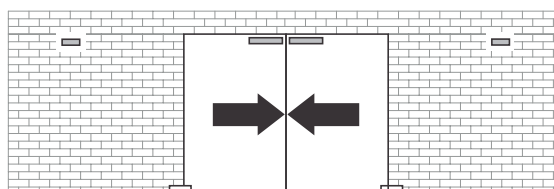
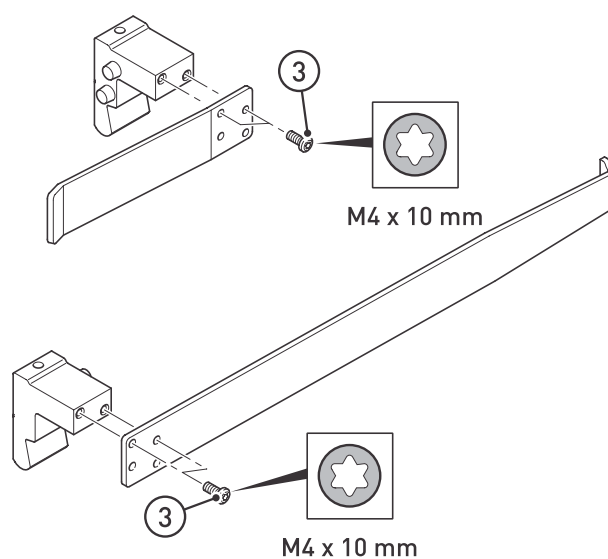
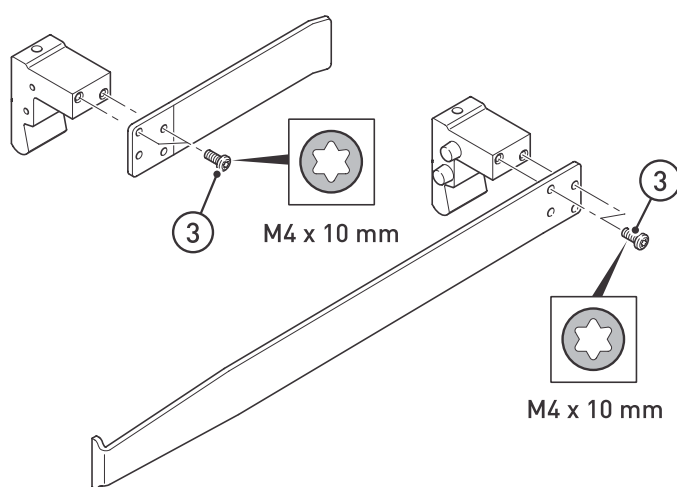
Activator and return stop

Variation:

Cushioning on one side, 2 sashes

Direction of assembly of return stop and activator

Direction of assembly of activator and return stop



0910.EV166.095

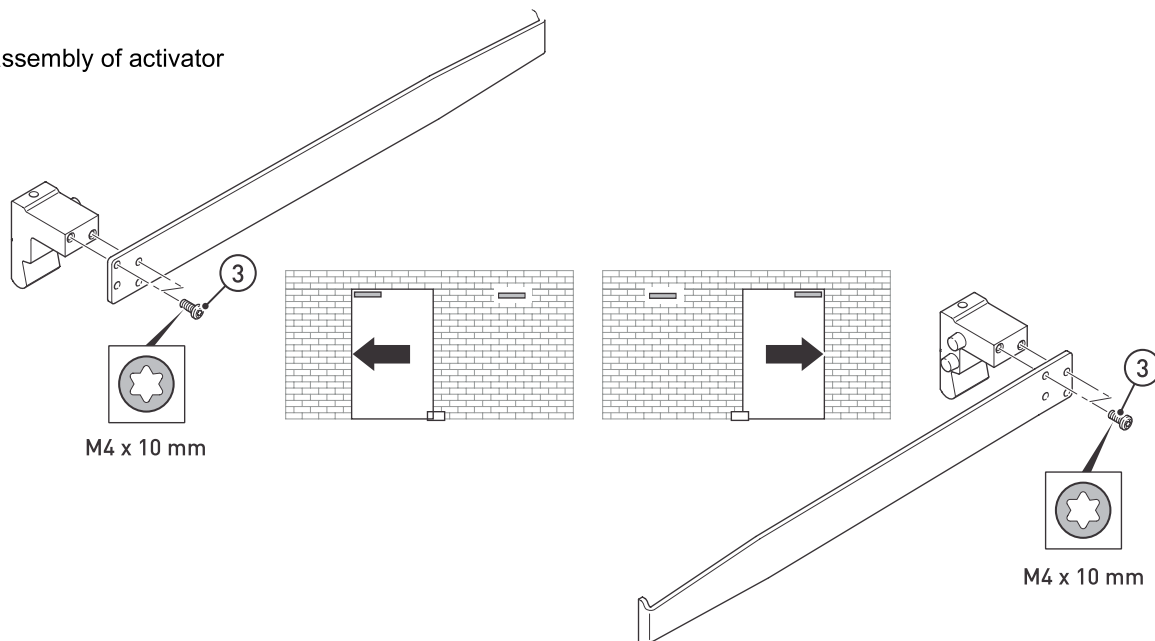
vitris

Activator and return stop

Variation:

Cushioning on both sides, 1 sash

Direction of assembly of activator

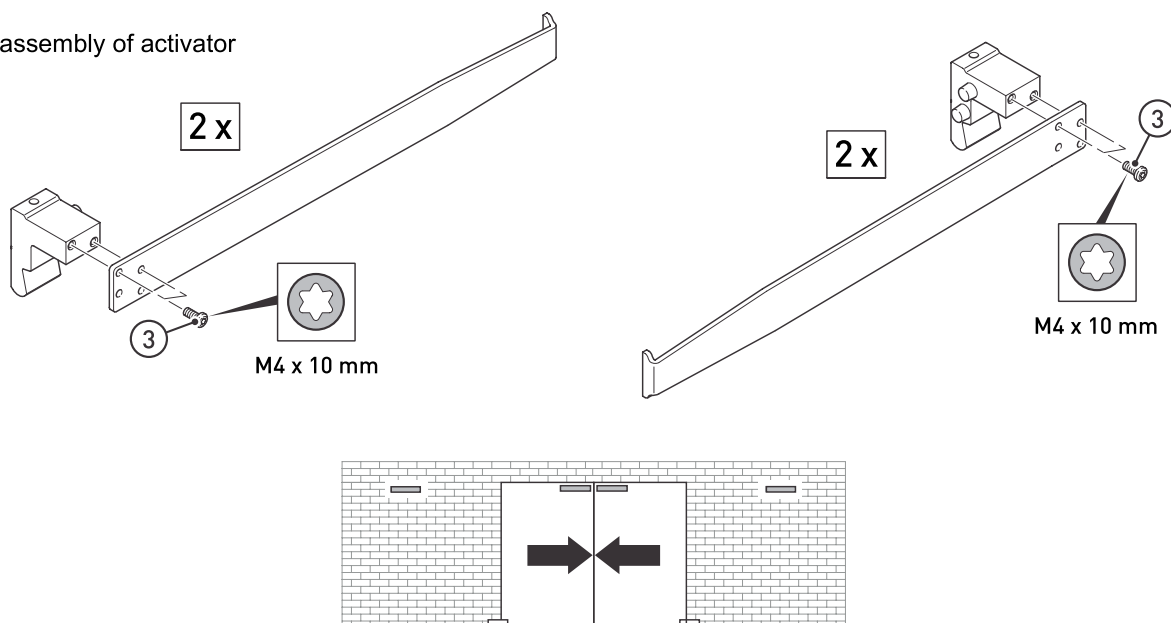


0910.EV166.083

Variation:

Cushioning on both sides, 2 sashes

Direction of assembly of activator



0911.EV166.097

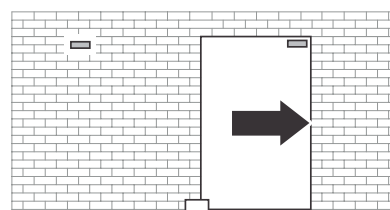
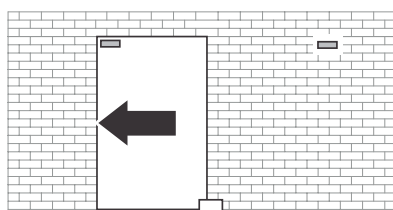
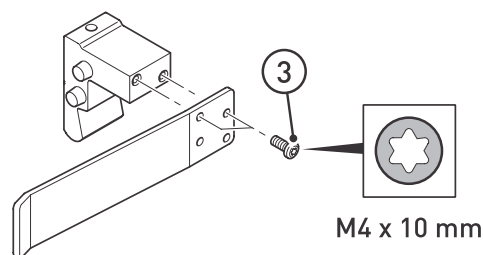
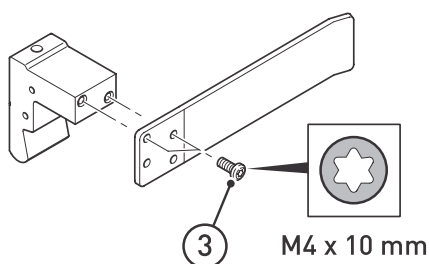
vitris

Activator and return stop

Variation:

No cushioning, 1 sash

Direction of assembly of return stop

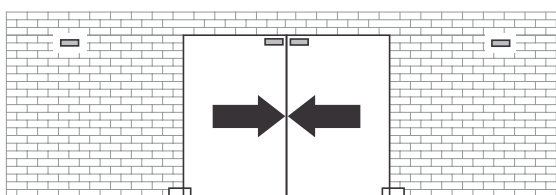
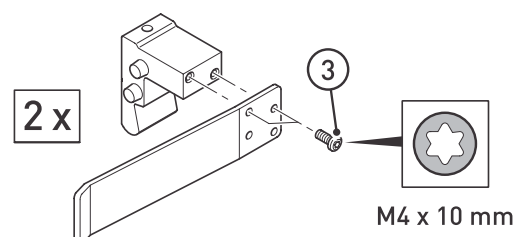
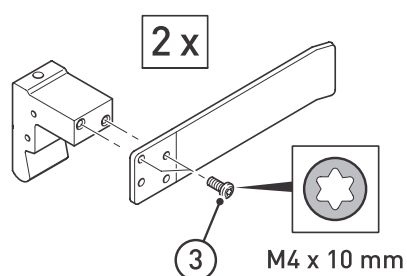


0910.EV166.084

Variation:

No cushioning, 2 sashes

Direction of assembly of return stop



0911.EV166.096

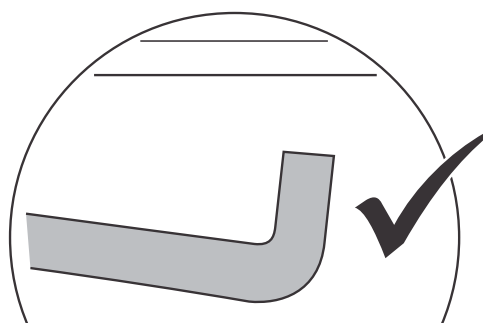
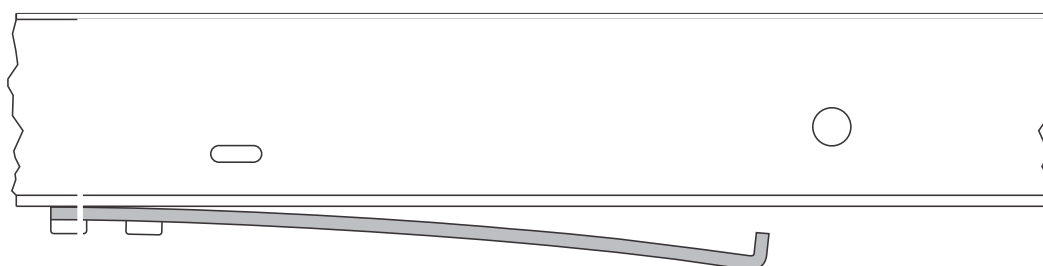


vitris

Assembly



Do not bend the activator!



0911.EV166.080

Portavant 120 - instrucțiuni de montaj

Uși glisante din sticlă, fără ramă și fără șină inferioară



ACCESORIA GROUP
House of innovation

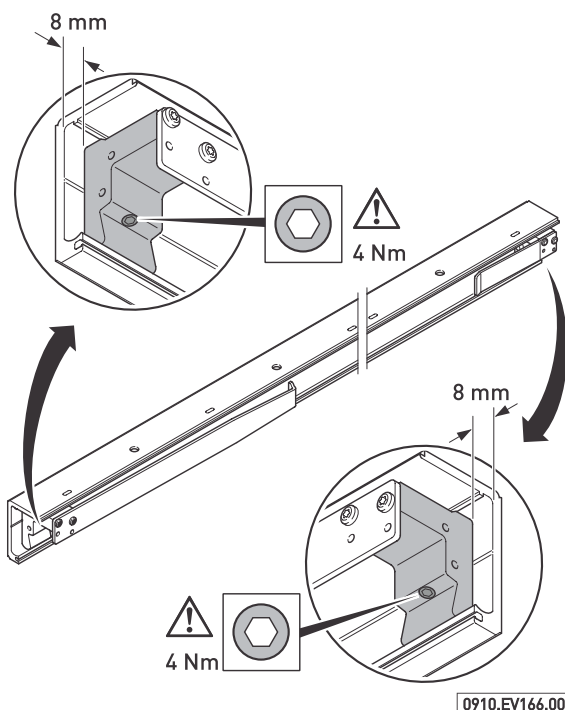
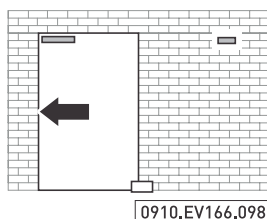
vitris

Stop system

Variation:

Cushioning on left side only

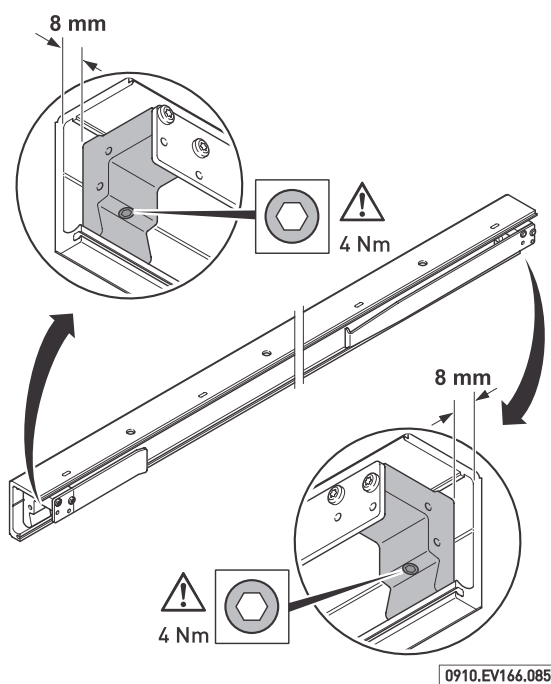
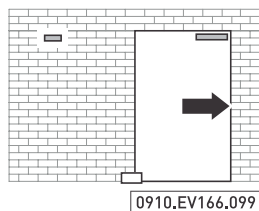
Assembly direction of stops:
doors up to 80 kg



Variation:

Cushioning on right side only

Assembly direction of stops:
doors up to 80 kg



Portavant 120 - instrucțiuni de montaj

Uși glisante din sticlă, fără ramă și fără șină inferioară



ACCESORIA GROUP
House of innovation

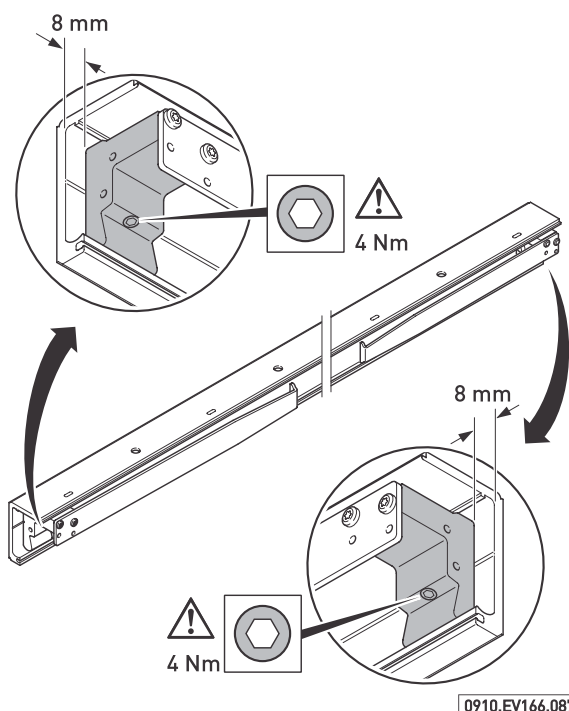
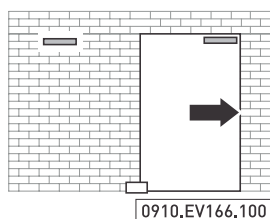
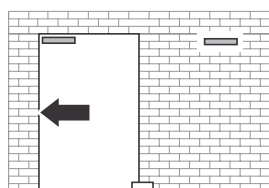
vitris

Stop system

Variation:

Cushioning on both sides

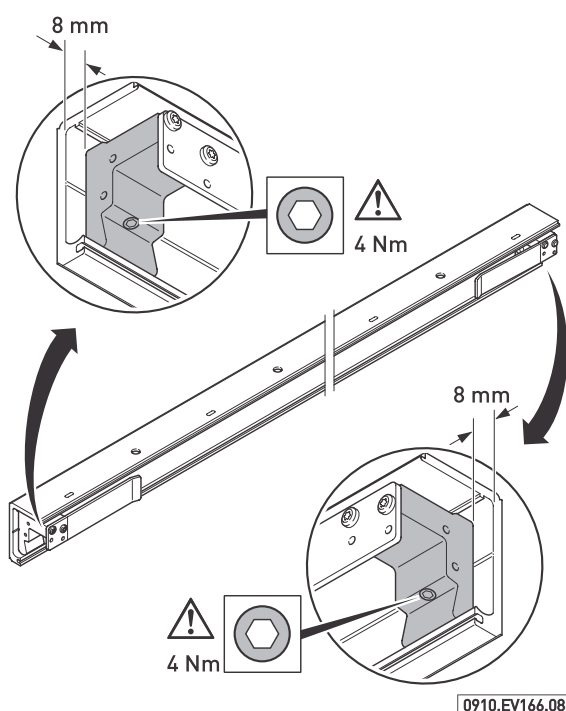
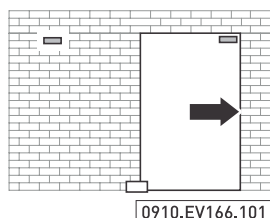
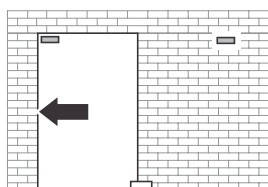
Assembly direction of stops:
doors up to 80 kg



Variation:

No cushioning

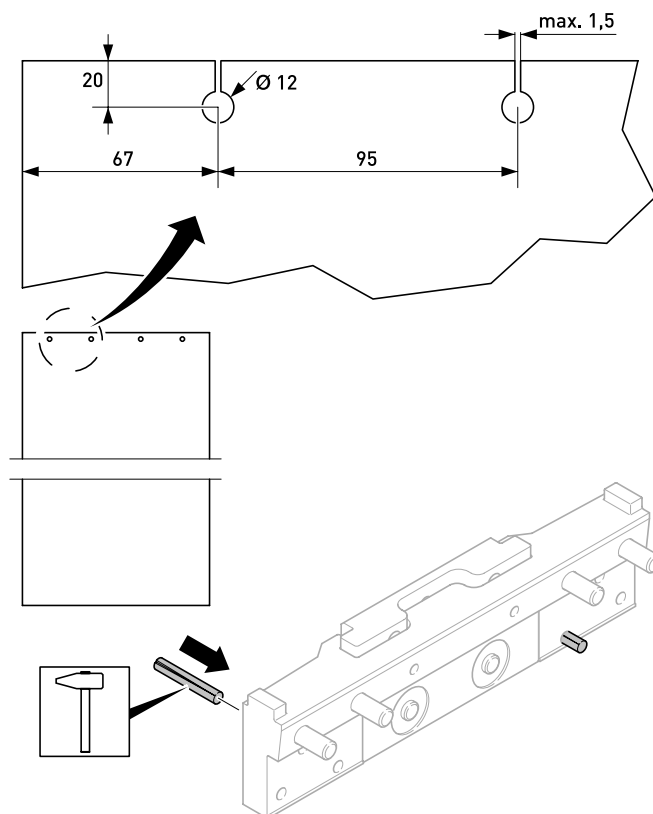
Assembly direction of stops:
doors up to 120 kg





vitris

Assembly of safety set



0811.EV166.010

! Assembly of safety set with sash weight > 80 kg recommended

	Toughened glass	Laminated safety glass
Relieving cut	yes	no

Door fittings

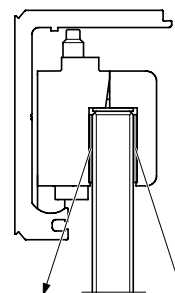
! Risk of injury if sash falls out because of improper assembly!

The clamp surfaces of the roller assemblies and shims must be clean, dry and free from grease.

- Clean sash and shims with glass cleaner and allow to dry.
- After cleaning, do not touch shims and roller assemblies on the clamping surfaces.

Choice of shims per assembly side

Toughened glass	Laminated safety glass	Shim selection	
		Shim 1	Shim 2
8 mm		1 + 2 mm	1 + 2 mm
	8,76 mm	1 + 2 mm	0,5 + 2 mm
10 mm		2 mm	2 mm
	10,76 mm	2 mm	0,5 + 1 mm
12 mm		1 mm	1 mm
	12,76 mm	1 mm	0,5 mm



0910.EV166.094

Portavant 120 - instrucțiuni de montaj

Uși glisante din sticlă, fără ramă și fără șină inferioară

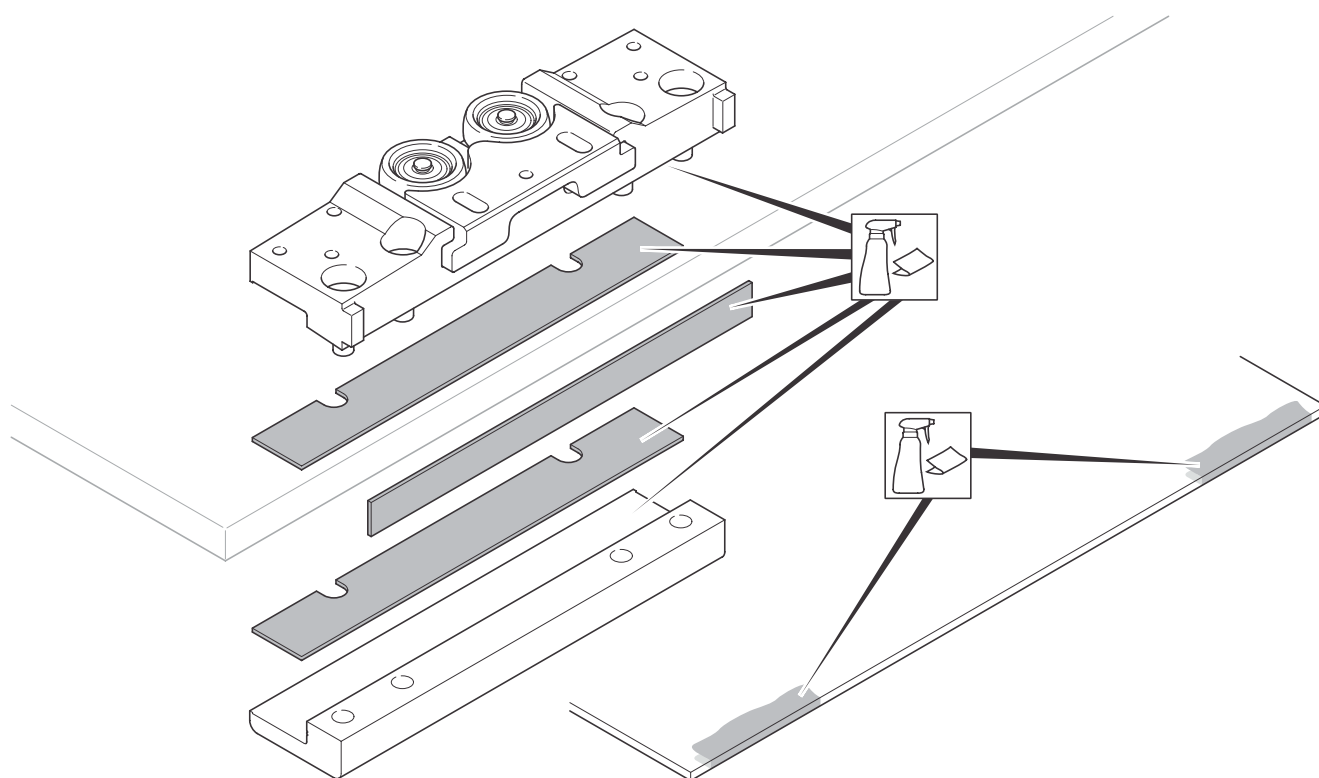


ACCESORIA GROUP

House of innovation

vitris

Cleaning



0910.EV166.013

Portavant 120 - instrucțiuni de montaj

Uși glisante din sticlă, fără ramă și fără șină inferioară

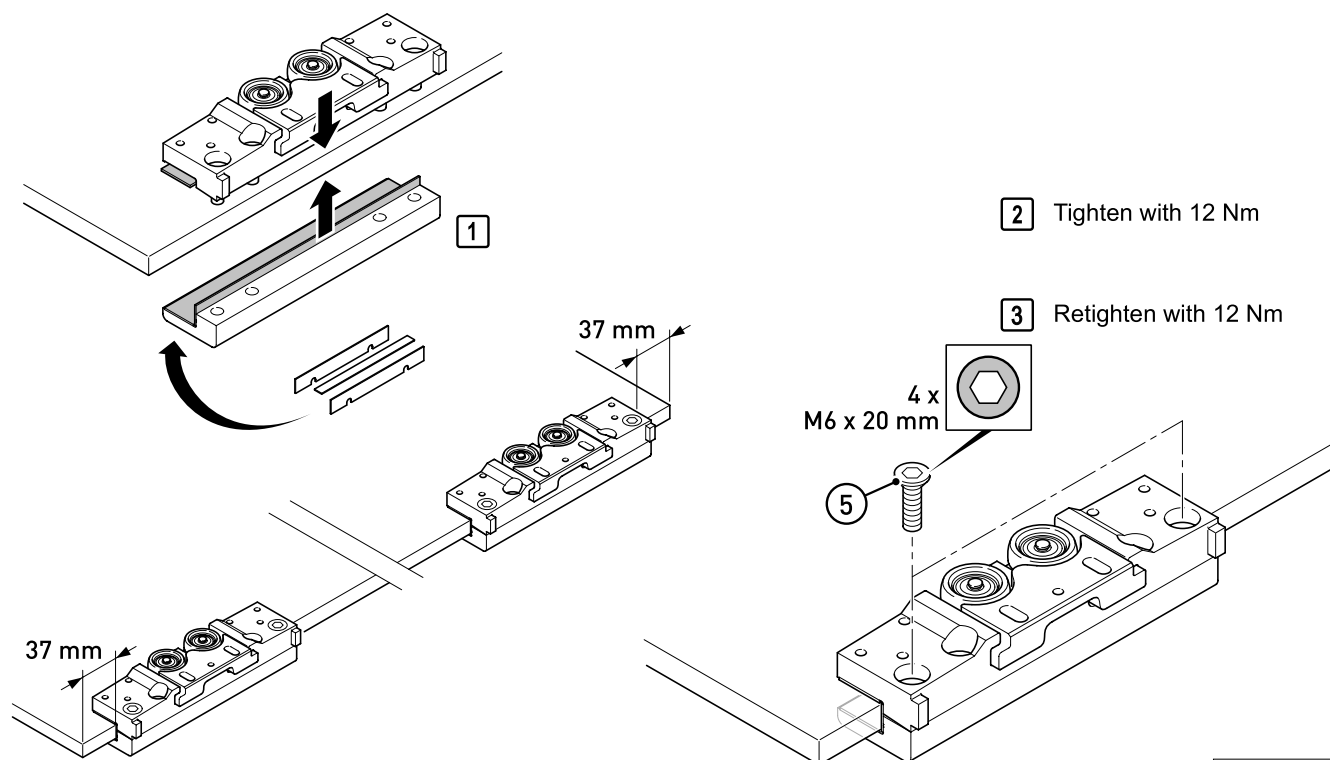


ACCESORIA GROUP
House of innovation

vitris

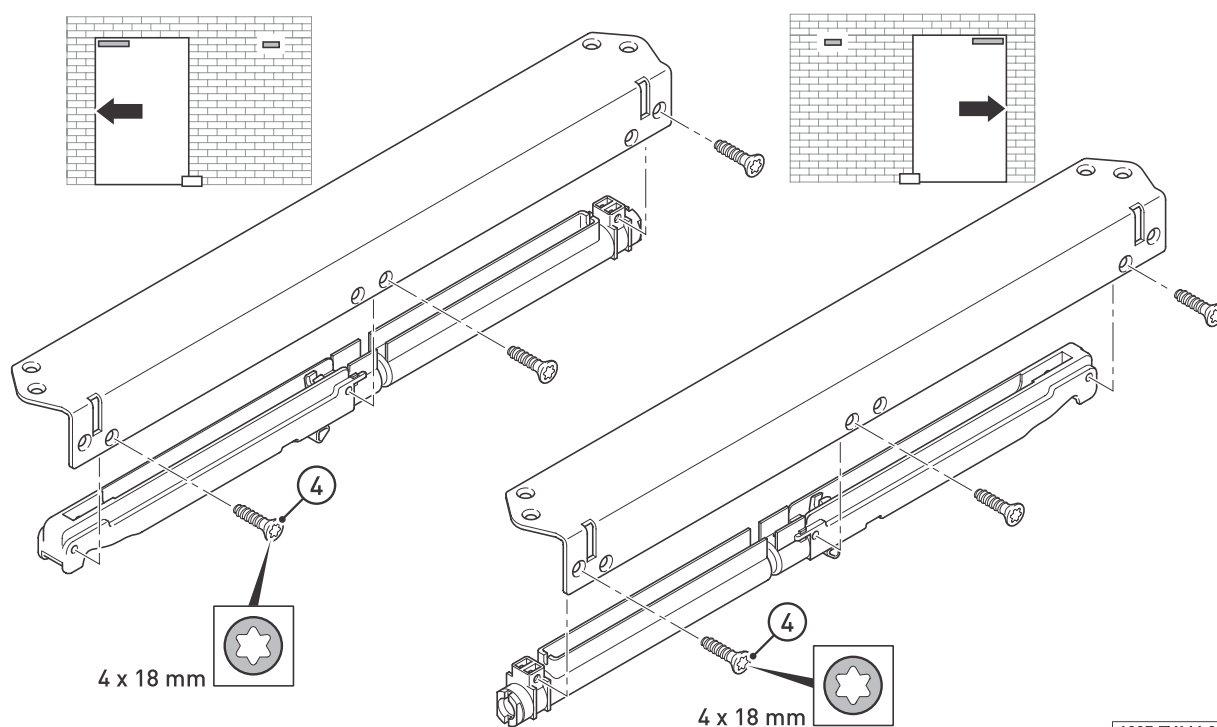
Door fittings

Assembly of roller assemblies



0910.EV166.014

Assembly of the cushioning system



1005.EV166.238

Portavant 120 - instrucțiuni de montaj

Uși glisante din sticlă, fără ramă și fără șină inferioară



ACCESORIA GROUP

House of innovation

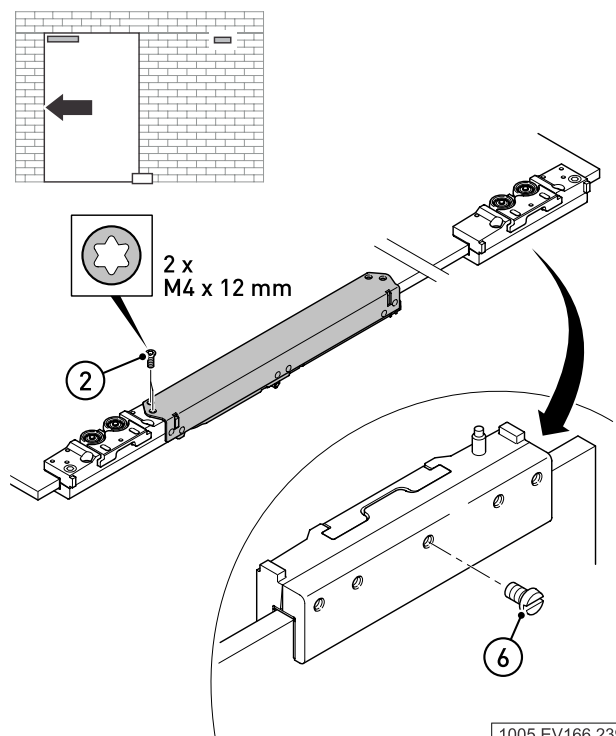
vitris

Assembly of sliding door

Variation:

Cushioning on left side only

Installation of cushioning system and return stop:
doors up to 80 kg
Fix the screw no. 6 only lightly!

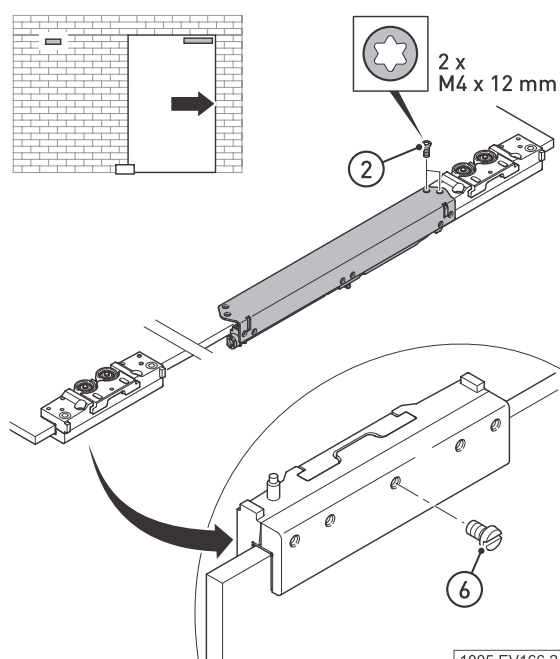


1005.EV166.239

Variation:

Cushioning on right side only

Installation of cushioning system and return stop:
doors up to 80 kg
Fix the screw no. 6 only lightly!



1005.EV166.240

Portavant 120 - instrucțiuni de montaj

Uși glisante din sticlă, fără ramă și fără șină inferioară



ACCESORIA GROUP

House of innovation

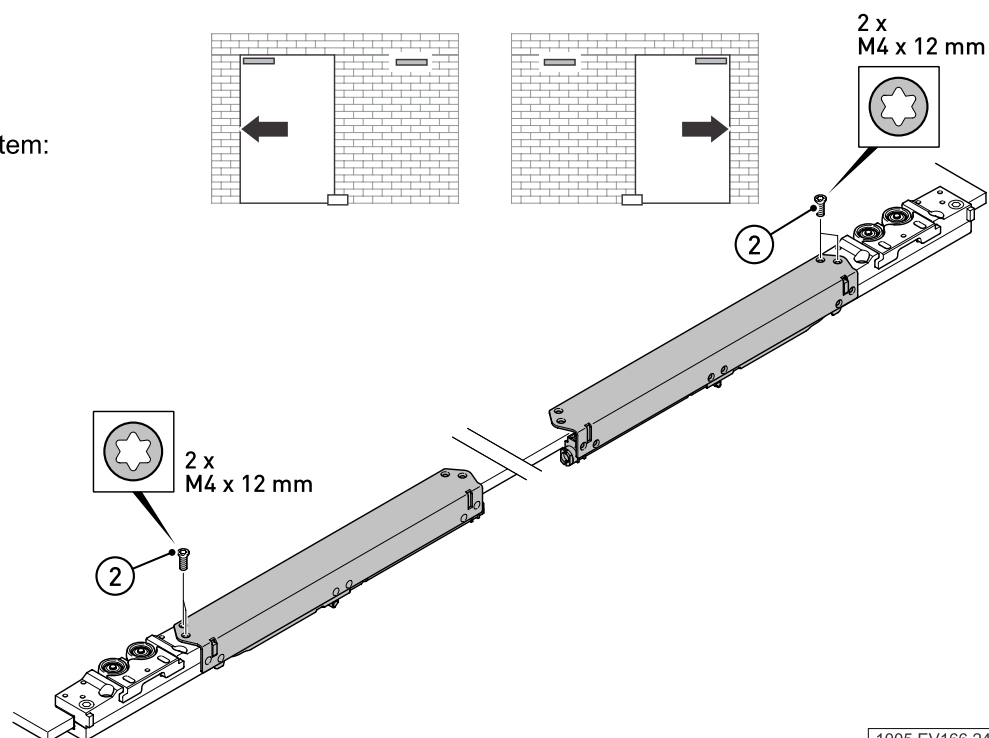
vitris

Assembly of sliding door

Variation:

Cushioning on both sides

Installation of cushioning system:
doors up to 80 kg



1005.EV166.241

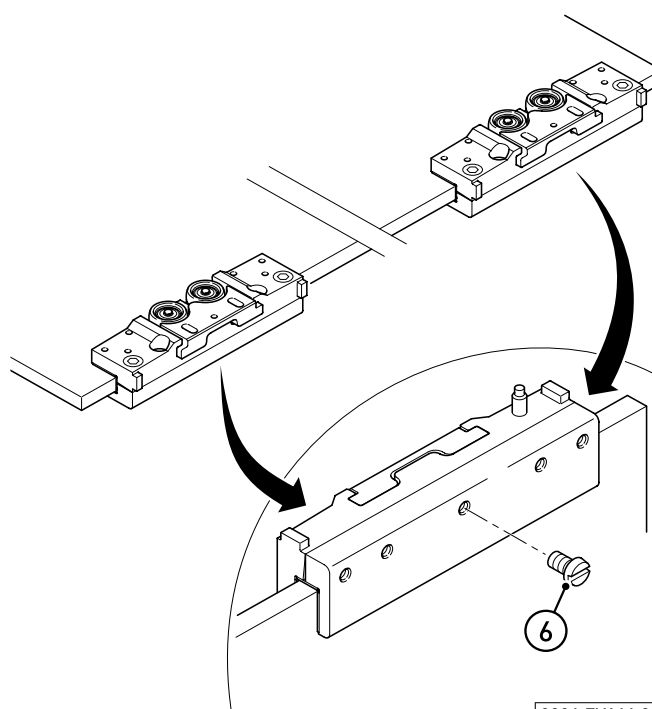
Variation:

No cushioning

Preparation return stops:

doors up to 120 kg

Fix the screw no. 6 only lightly!



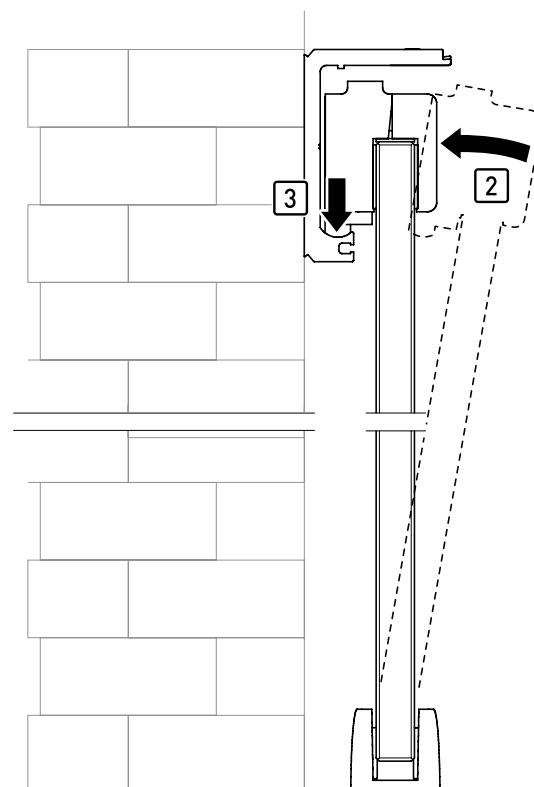
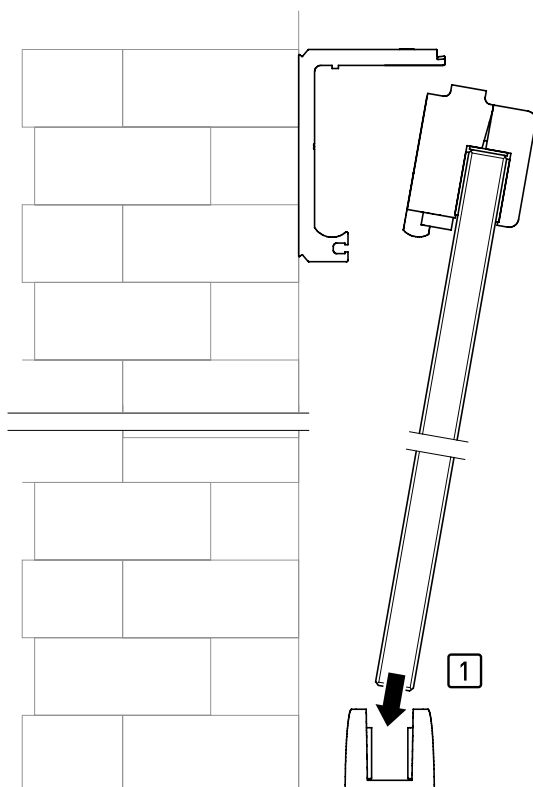
0906.EV166.038



vitris

Assembly

Suspending sliding door

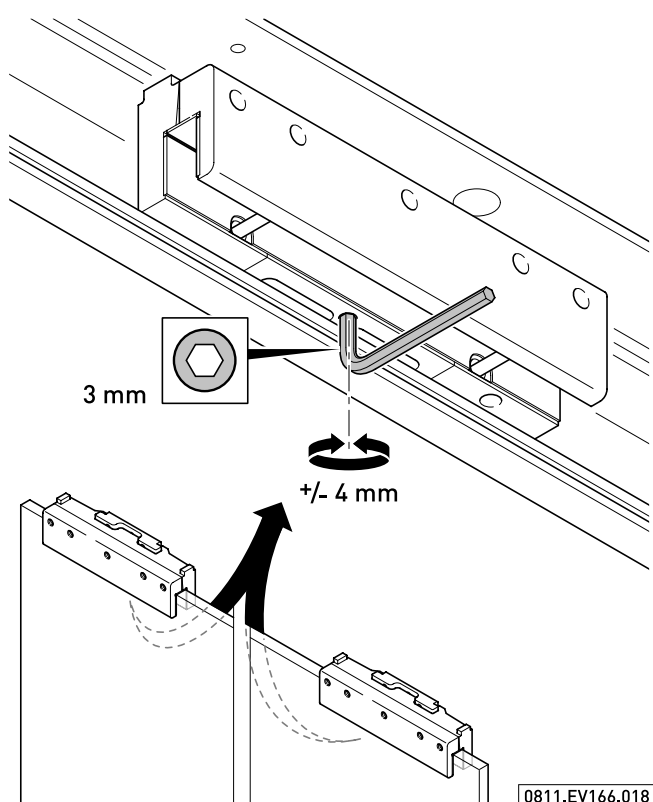


0807.EV166.028

vitris

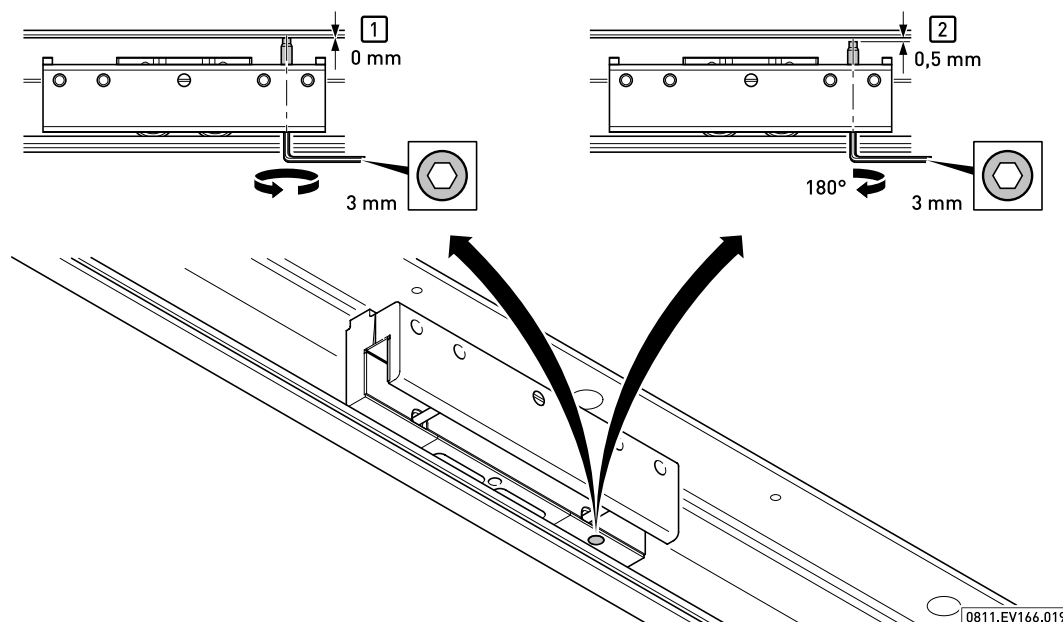
Adjustments

Height adjustment



! Danger!
The glass sliding door may jump out of the top track if there is no safety catch.
– Adjust the safety catch as described below.

Adjustment of the safety catch



Portavant 120 - instrucțiuni de montaj

Uși glisante din sticlă, fără ramă și fără șină inferioară



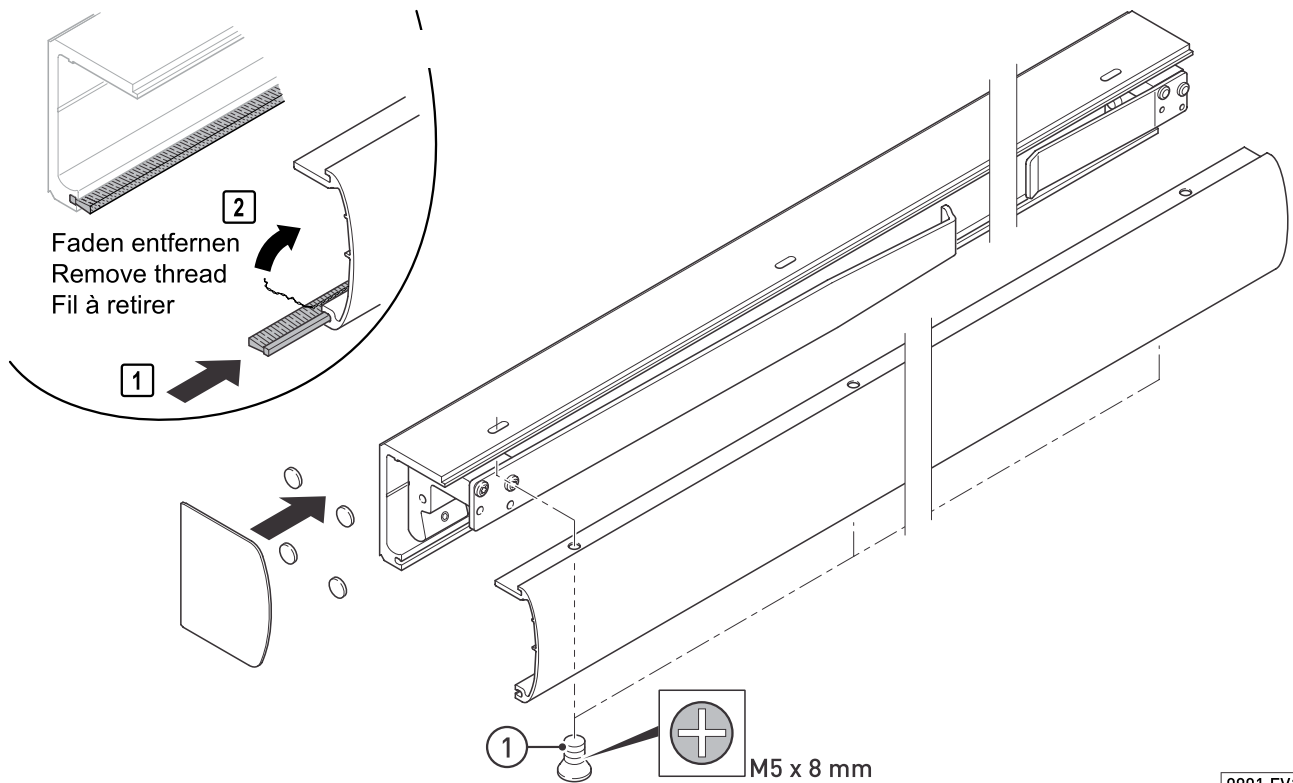
ACCESORIA GROUP

House of innovation

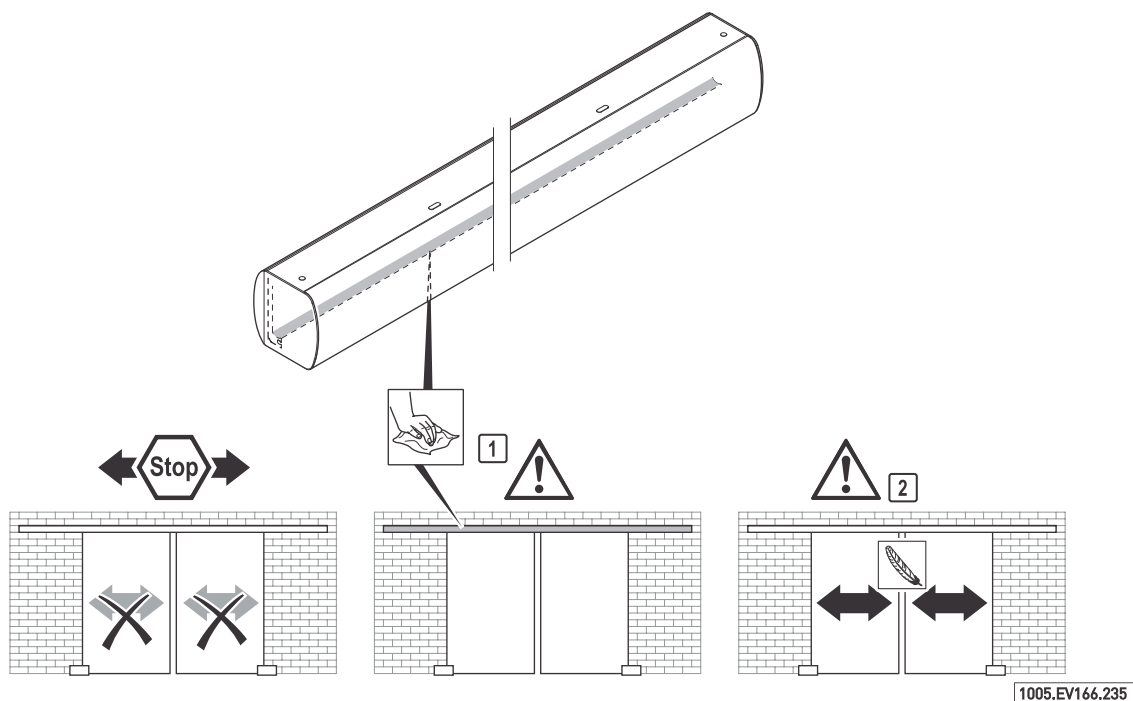
vitris

Final assembly

Option



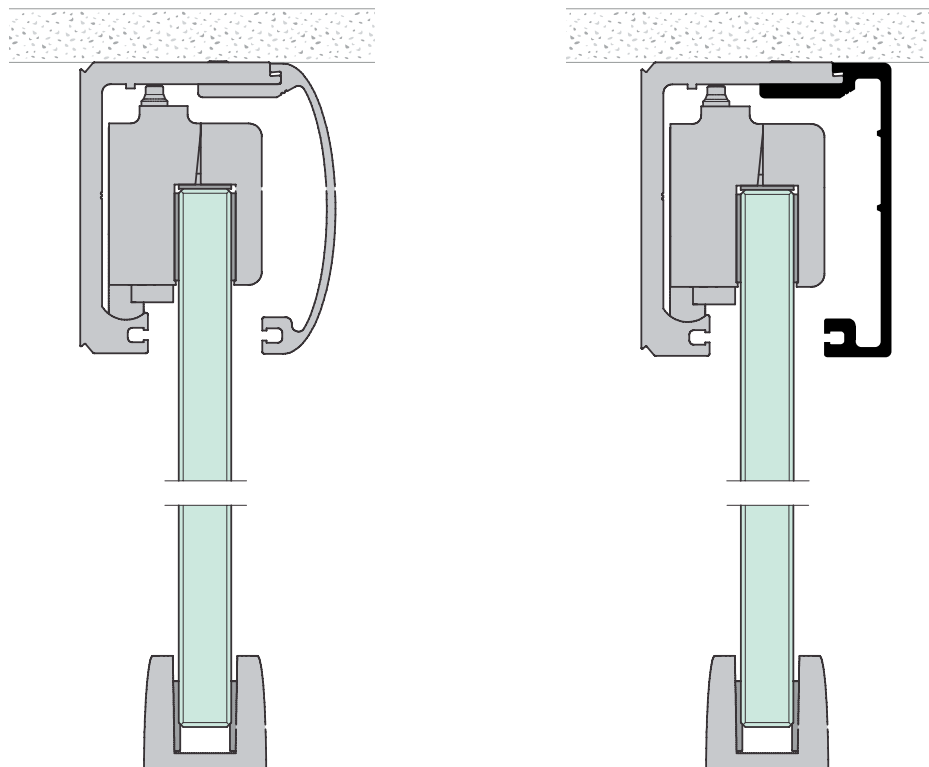
Cleaning of top track





vitris

Track fixed to ceiling



These assembly instructions describe the ceiling attachment of one-sash and two-sash sliding doors using the Portavant glass sliding door fittings.

Intended use

The Portavant glass sliding door fittings are suitable for the attachment of glass sliding doors made of toughened glass and laminated safety glass.

The surface of the glass sash must not have any modifications reducing surface friction. Patterned glass must not be used. The fixing (clamping) of saturated glass (basis: tempered glass or laminated safety glass) is admitted.

The glass sliding door fittings must only be assembled by specialists with experience in the installation of glass sliding doors.

For the competent and stable fixation to the building structure and the selection of the fixing material, specialist personnel is required.



Risk of injury!

The sashes are heavy. Errors in assembly can lead to serious injury.

- Keep to the sequence prescribed in these assembly instructions.
- Observe, in particular, all notes flagged with the warning triangle.
- Recommendation: Use the safety set described on page 14 if the weight of a sash exceeds 80 kg.

Any notes from the glass manufacturer should also be observed.

Portavant 120 - instrucțiuni de montaj

Uși glisante din sticlă, fără ramă și fără șină inferioară

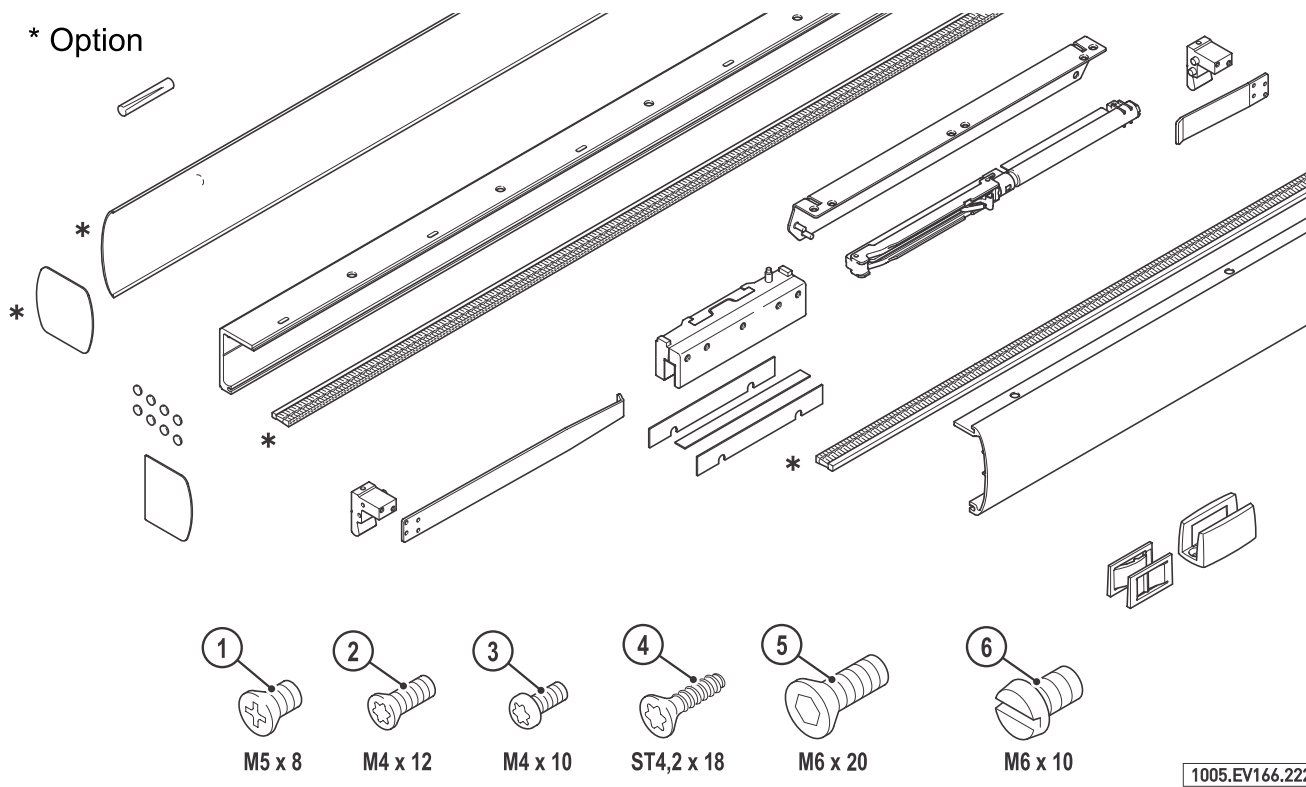


ACCESORIA GROUP
House of innovation


vitris

Important information

Scope of delivery



Important notes

Glass thicknesses (Nominal dimension)		
ESG ¹⁾	VSG ¹⁾	 The maximum height-width ratio of the sashes is 2.5:1. The maximum sash weight is 80 kg with cushioning system / 120 kg without cushioning system.
8 mm	8,76 mm	
10 mm	10,76 mm	
12 mm	12,76 mm	

- 1) ESG: Toughened glass
VSG: Laminated safety glass

Portavant 120 - instrucțiuni de montaj

Uși glisante din sticlă, fără ramă și fără șină inferioară



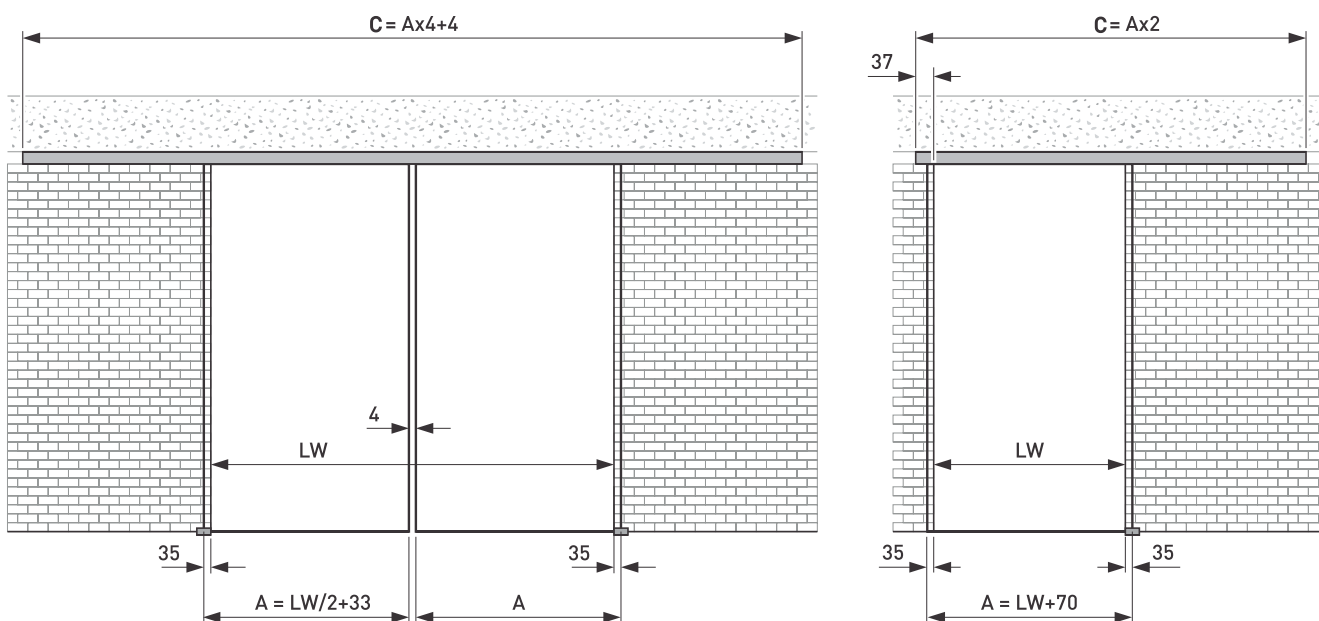
ACCESORIA GROUP

House of innovation

vitris

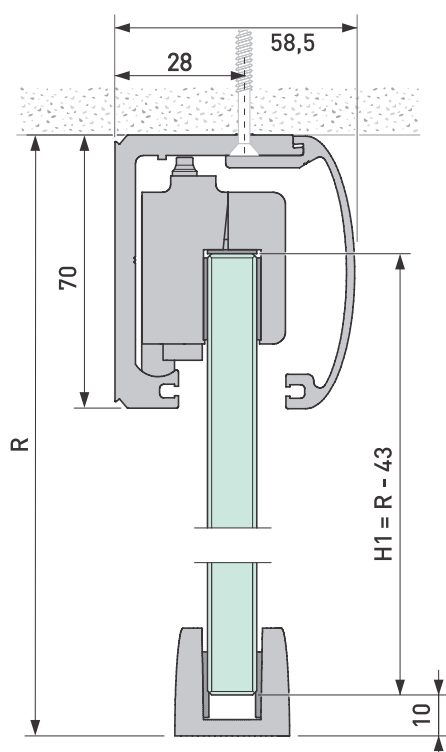
Planning criteria

Dimensions

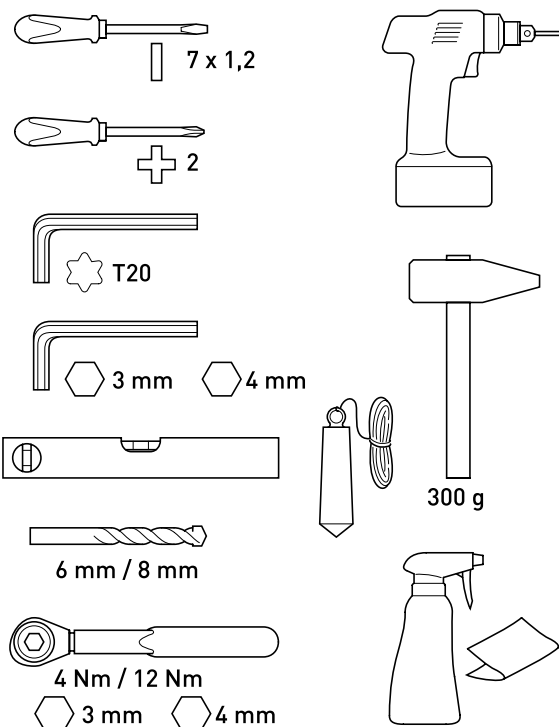


1005.EV166.217

Sash height



1102.EV166.288



0811.EV166.003

Portavant 120 - instrucțiuni de montaj

Uși glisante din sticlă, fără ramă și fără șină inferioară

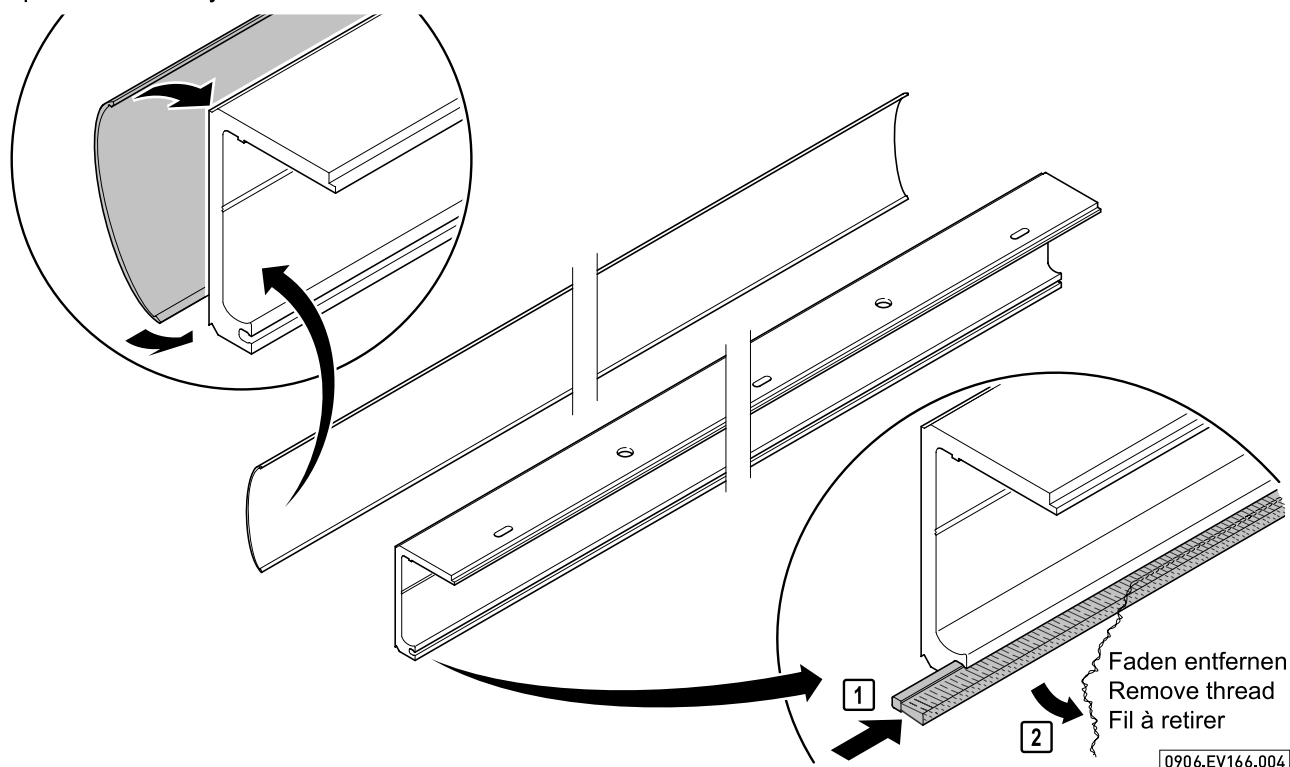


ACCESORIA GROUP
House of innovațjon

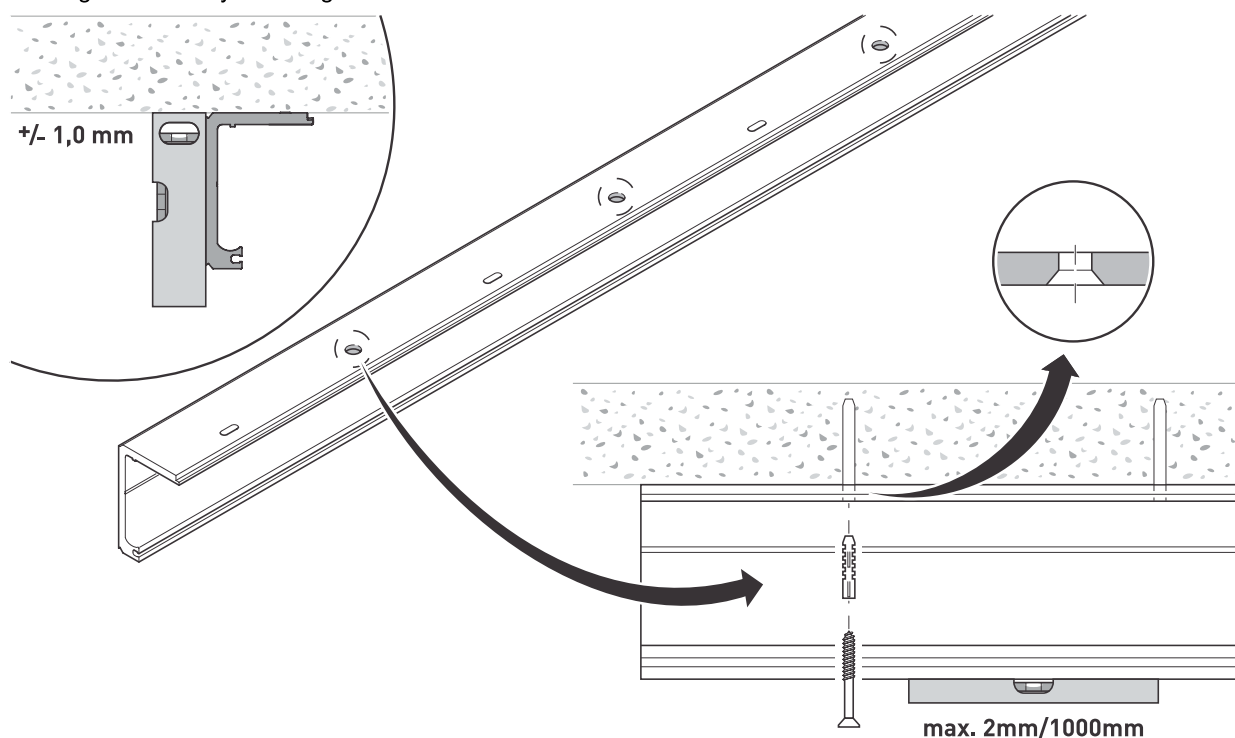
vitris

Top track

Optional assembly



Montage / Assembly / Montage



Portavant 120 - instrucțiuni de montaj

Uși glisante din sticlă, fără ramă și fără șină inferioară



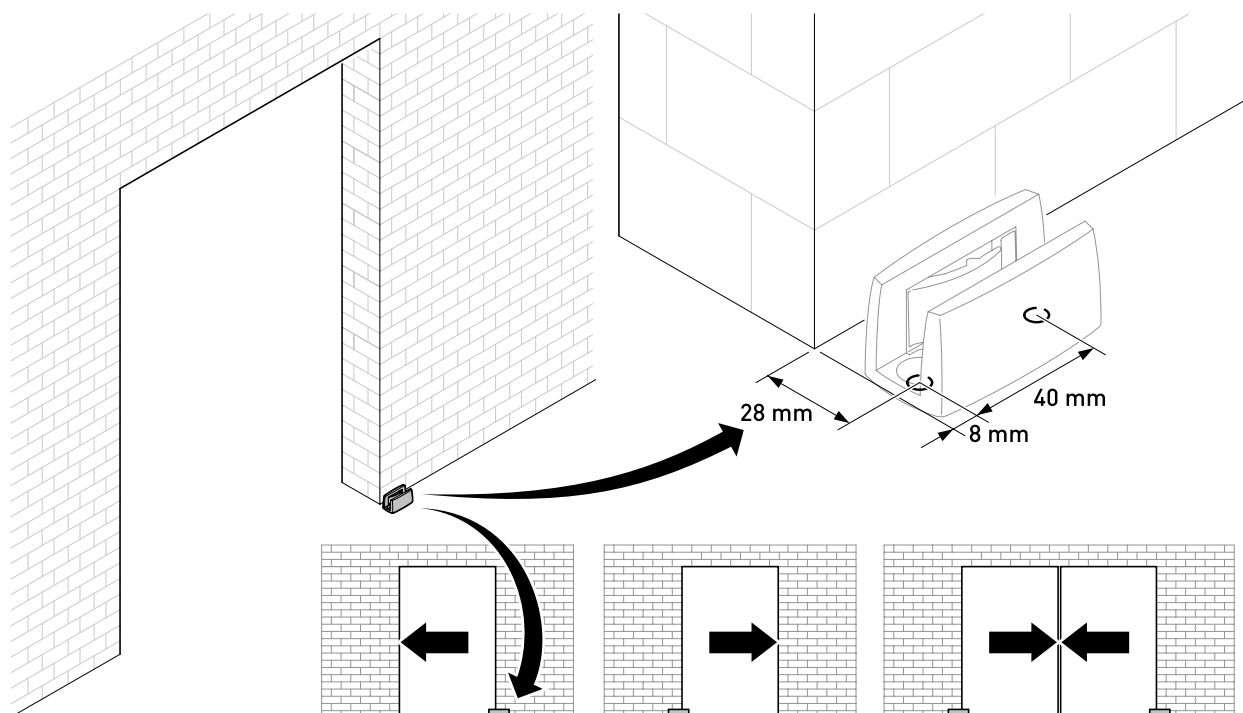
ACCESORIA GROUP

House of innovațion

vitris

Floor-guide

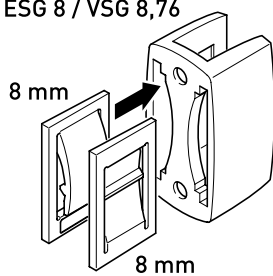
Drill holes



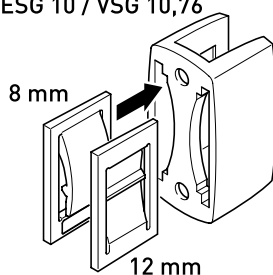
0906.EV166.006

Assembly

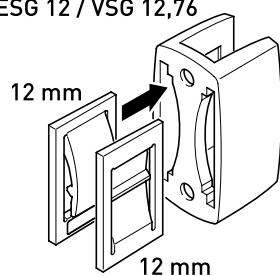
ESG 8 / VSG 8,76



ESG 10 / VSG 10,76

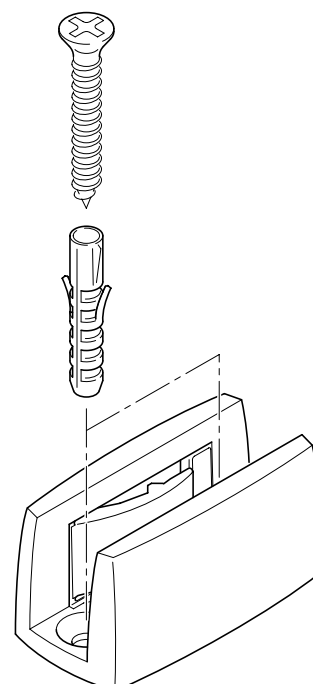


ESG 12 / VSG 12,76



ESG
Toughened glass

VSG
Laminated safety glass



0811.EV166.007

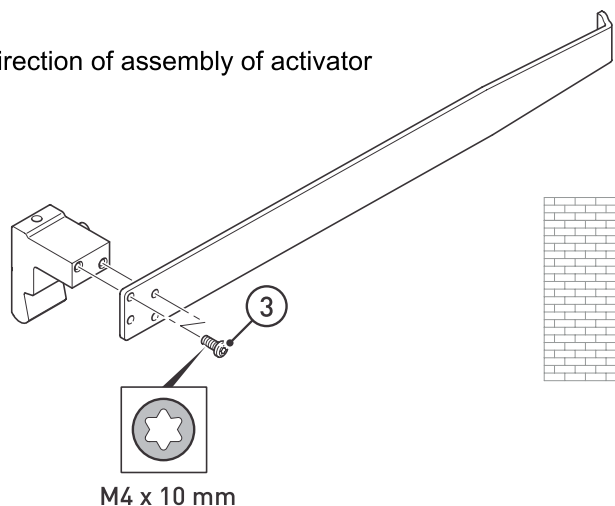
vitris

Activator and return stop

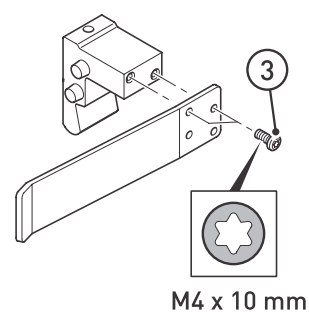
Variation:

Cushioning on left side only

Direction of assembly of activator



Direction of assembly of return stop

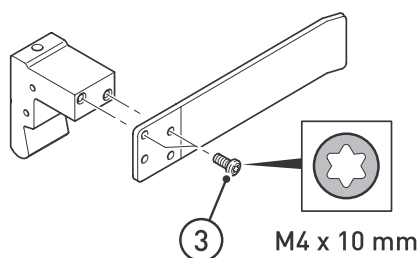


0910.EV166.081

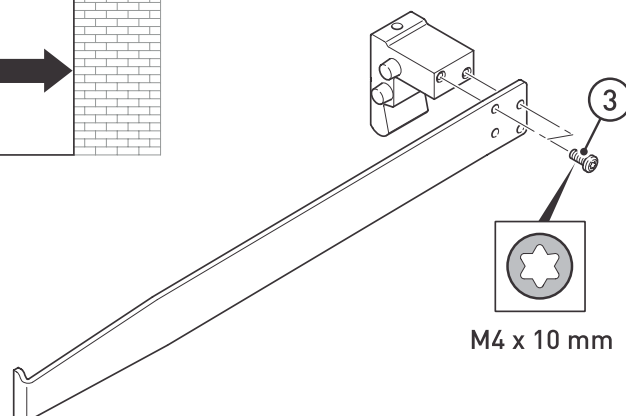
Variation:

Cushioning on right side only

Direction of assembly of return stop



Direction of assembly of activator



0910.EV166.082

Portavant 120 - instrucțiuni de montaj

Uși glisante din sticlă, fără ramă și fără șină inferioară



ACCESORIA GROUP
House of innovation

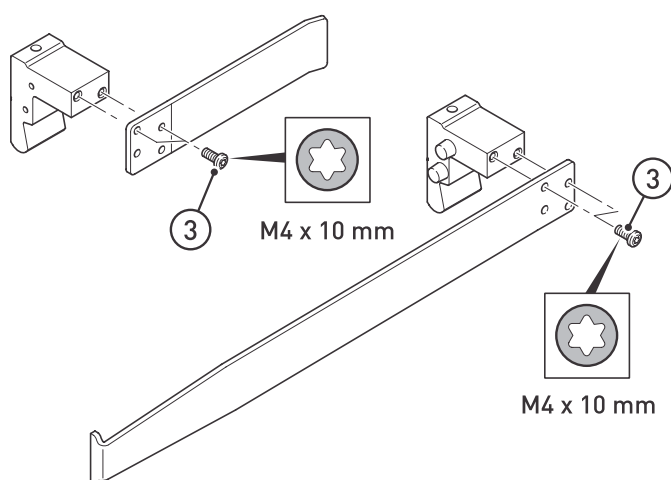
vitris

Activator and return stop

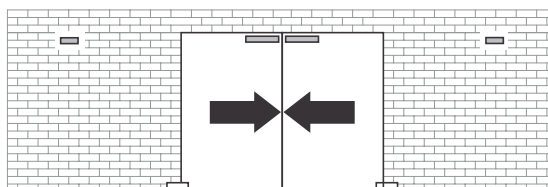
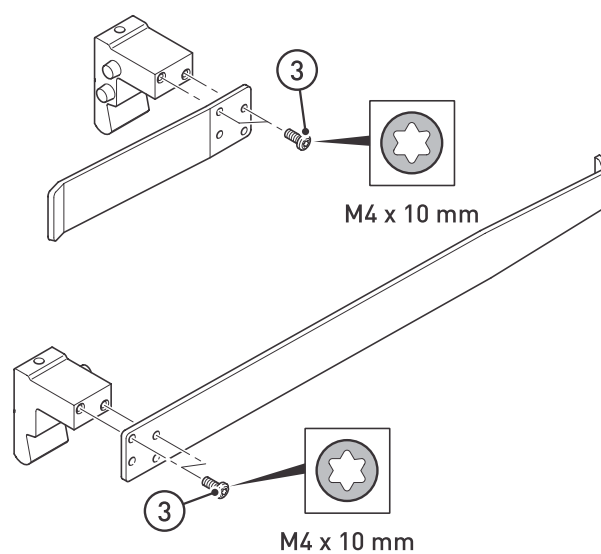
Variation:

Cushioning on one side, 2 sashes

Direction of assembly of return stop and activator



Direction of assembly of activator and return stop



0910.EV166.095

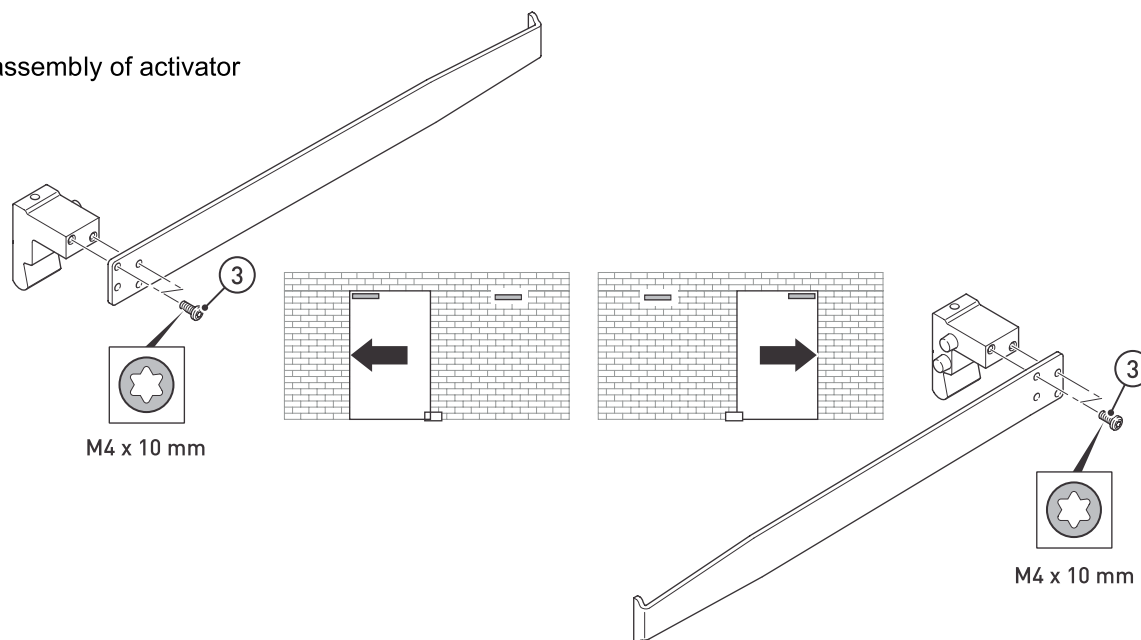
vitris

Activator and return stop

Variation:

Cushioning on both sides, 1 sash

Direction of assembly of activator

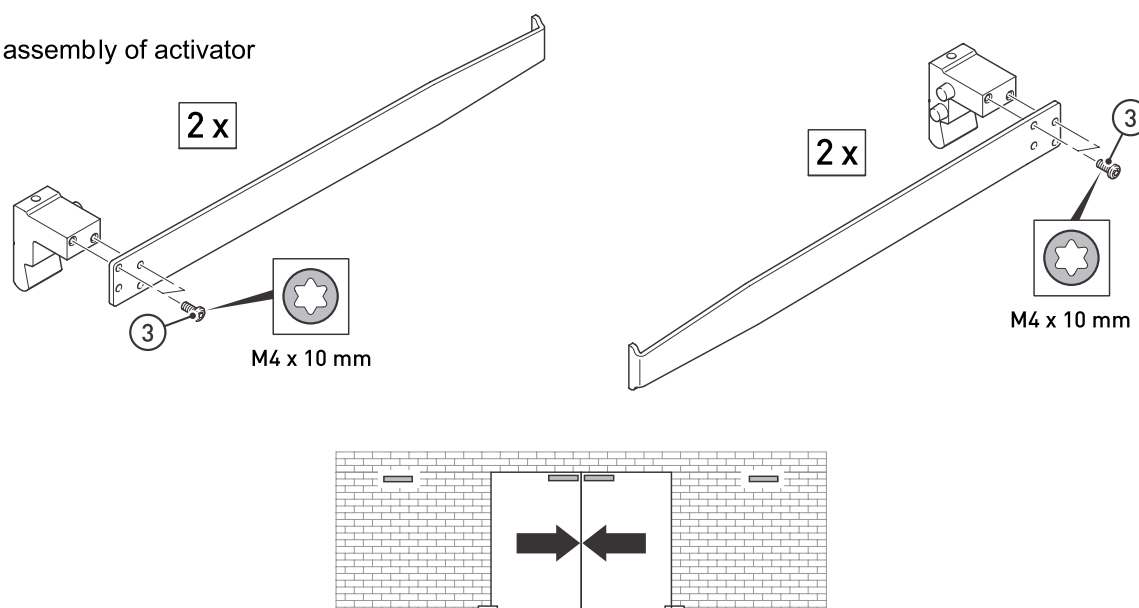


0910.EV166.083

Variation:

Cushioning on both sides, 2 sashes

Direction of assembly of activator



0911.EV166.097



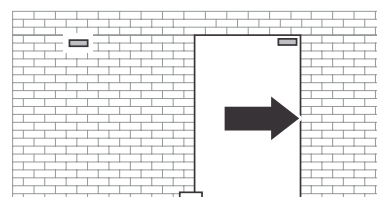
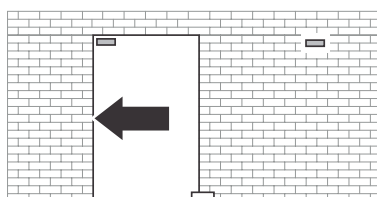
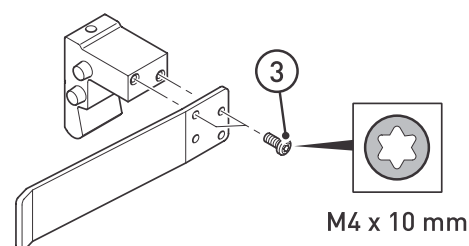
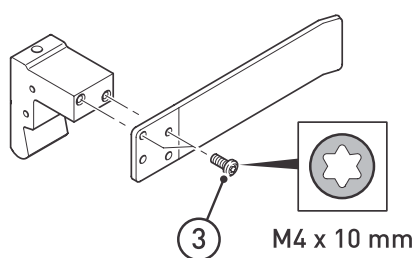
vitris

Activator and return stop

Variation:

No cushioning, 1 sash

Direction of assembly of return stop

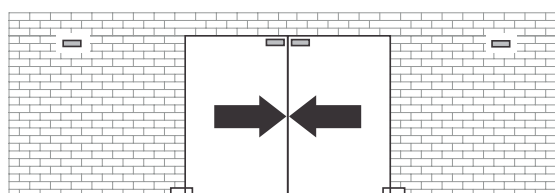
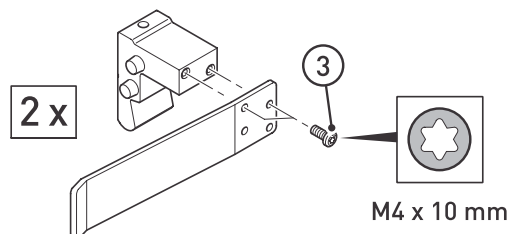
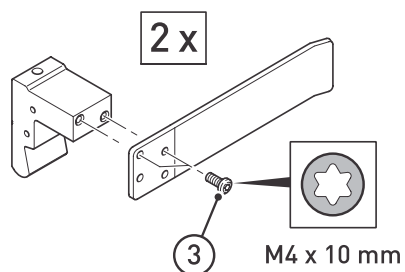


0910.EV166.084

Variation:

No cushioning, 2 sashes

Direction of assembly of return stop




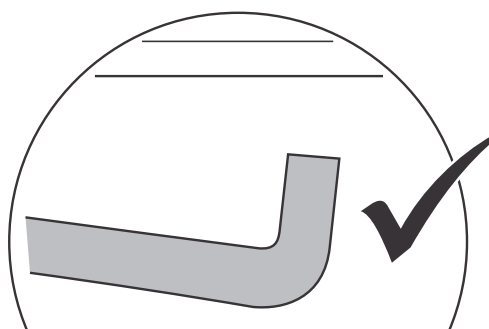
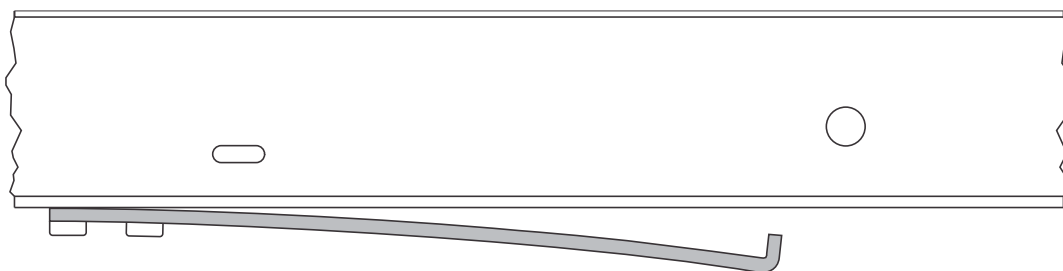
0911.EV166.096



vitris

Assembly

 Do not bend the activator!



0911.EV166.080



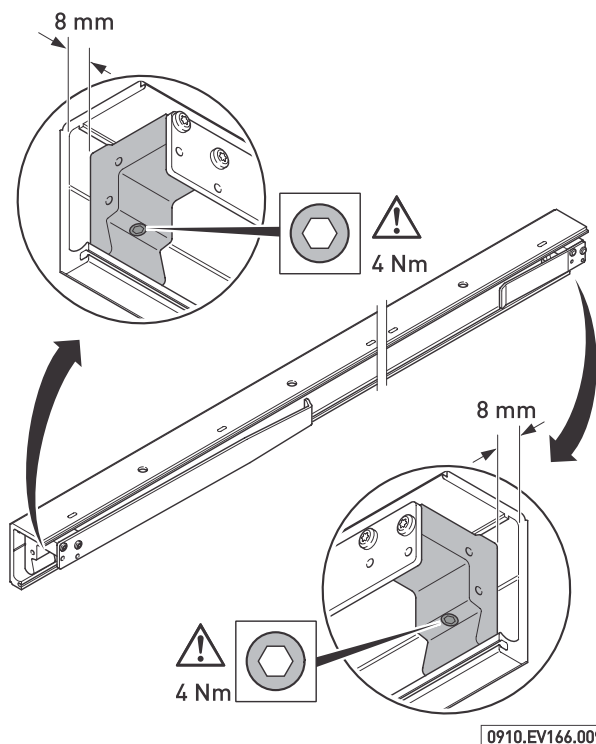
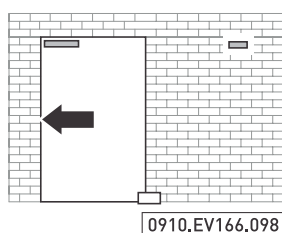
vitris

Stop system

Variation:

Cushioning on left side only

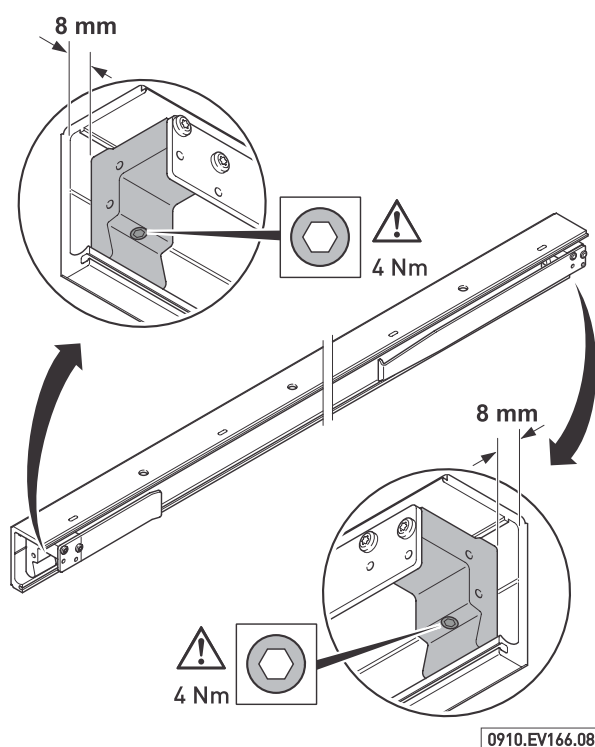
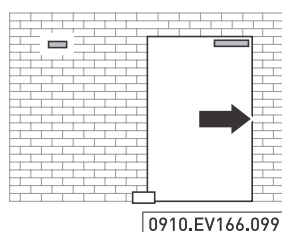
Assembly direction of stops:
doors up to 80 kg



Variation:

Cushioning on right side only

Assembly direction of stops:
doors up to 80 kg



Portavant 120 - instrucțiuni de montaj

Uși glisante din sticlă, fără ramă și fără șină inferioară



ACCESORIA GROUP

House of innovațion

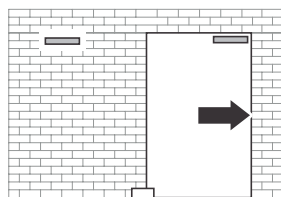
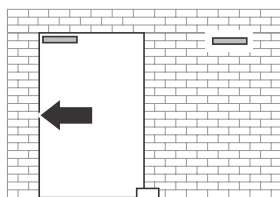
vitris

Stop system

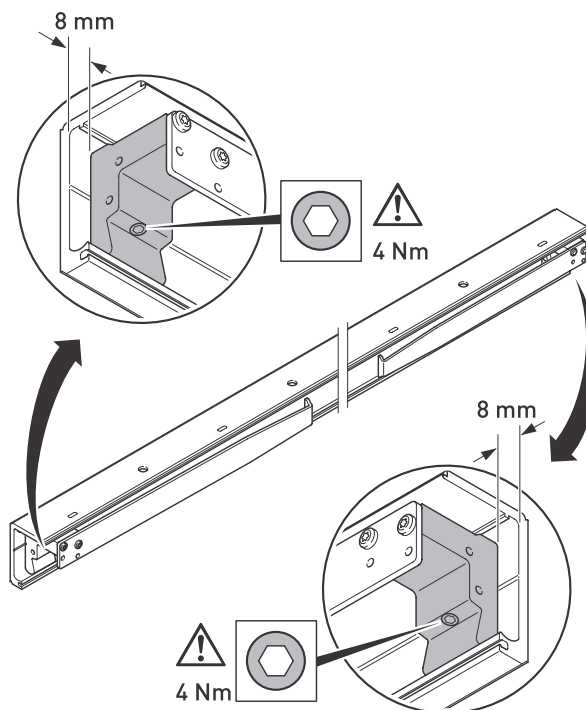
Variation:

Cushioning on both sides

Assembly direction of stops:
doors up to 80 kg



0910.EV166.100

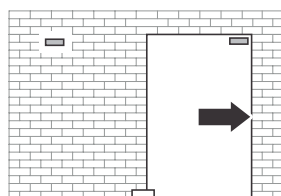
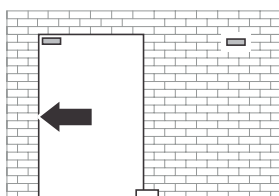


0910.EV166.087

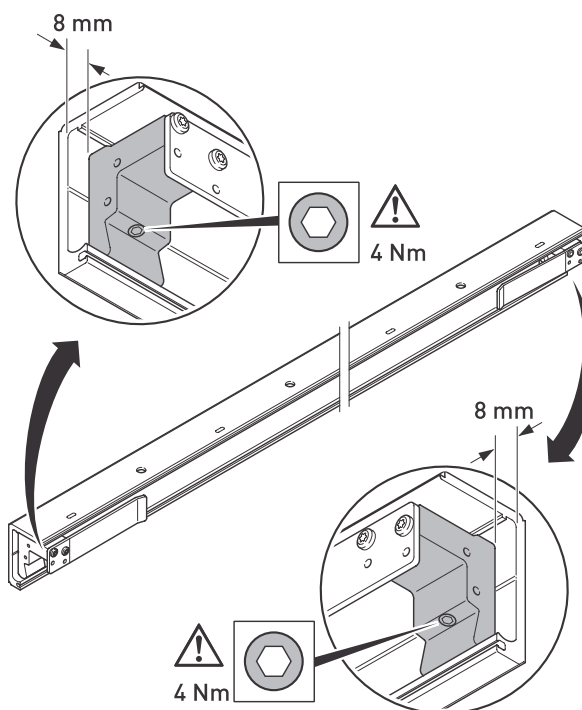
Variation:

No cushioning

Assembly direction of stops:
doors up to 120 kg



0910.EV166.101

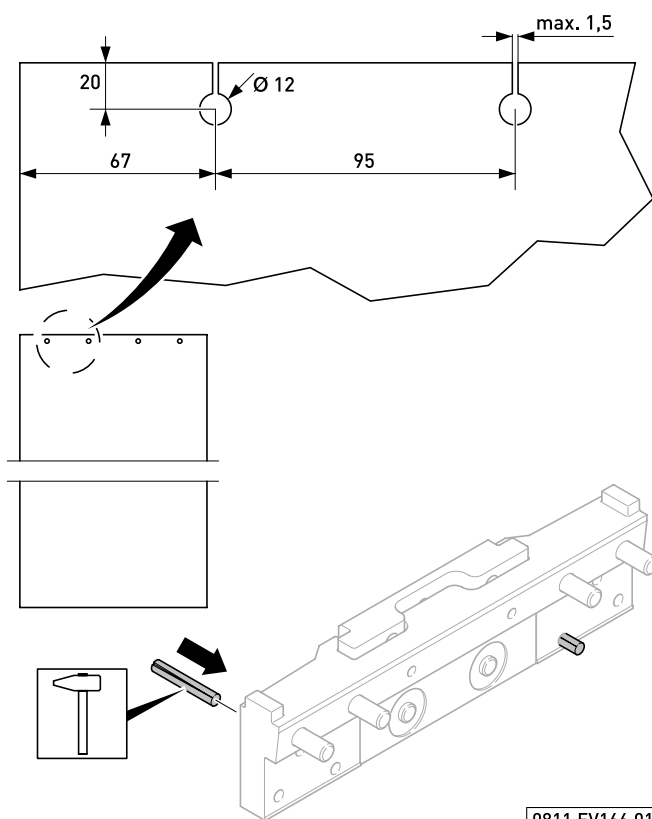



0910.EV166.086



vitris

Assembly of safety set



 Assembly of safety set with sash weight > 80 kg recommended

	Toughened glass	Laminated safety glass
Relieving cut	yes	no

0811.EV166.010



vitris

Door fittings

Choice of shims

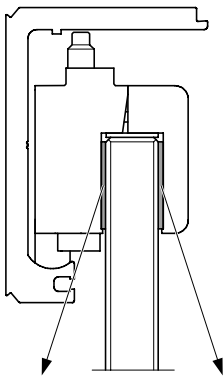


Risk of injury if sash falls out because of improper assembly!

The clamp surfaces of the roller assemblies and shims must be clean, dry and free from grease.

- Clean sash and shims with glass cleaner and allow to dry.
- After cleaning, do not touch shims and roller assemblies on the clamping surfaces.

Choice of shims per assembly side

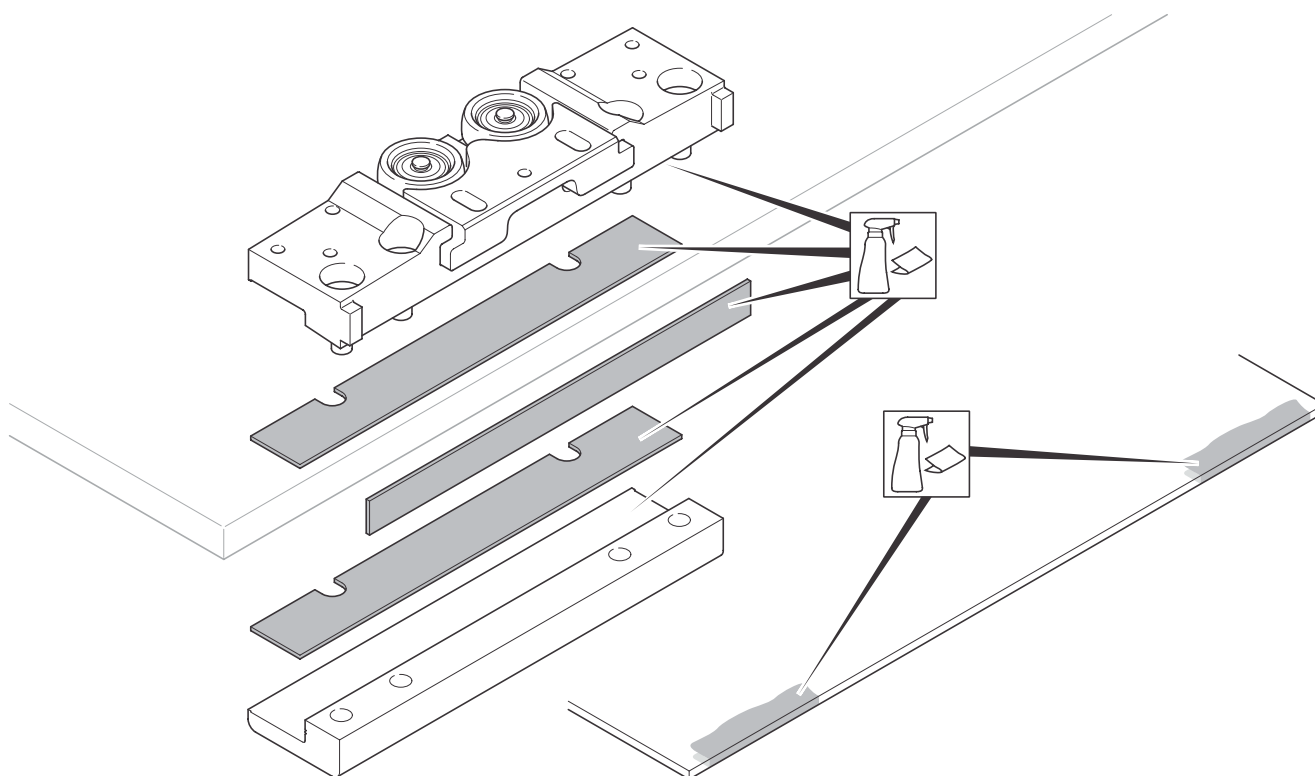
Toughened glass	Laminated safety glass		
8 mm		1 + 2 mm	1 + 2 mm
	8,76 mm	1 + 2 mm	0,5 + 2 mm
10 mm		2 mm	2 mm
	10,76 mm	2 mm	0,5 + 1 mm
12 mm		1 mm	1 mm
	12,76 mm	1 mm	0,5 mm

0910.EV166.094



vitris

Cleaning



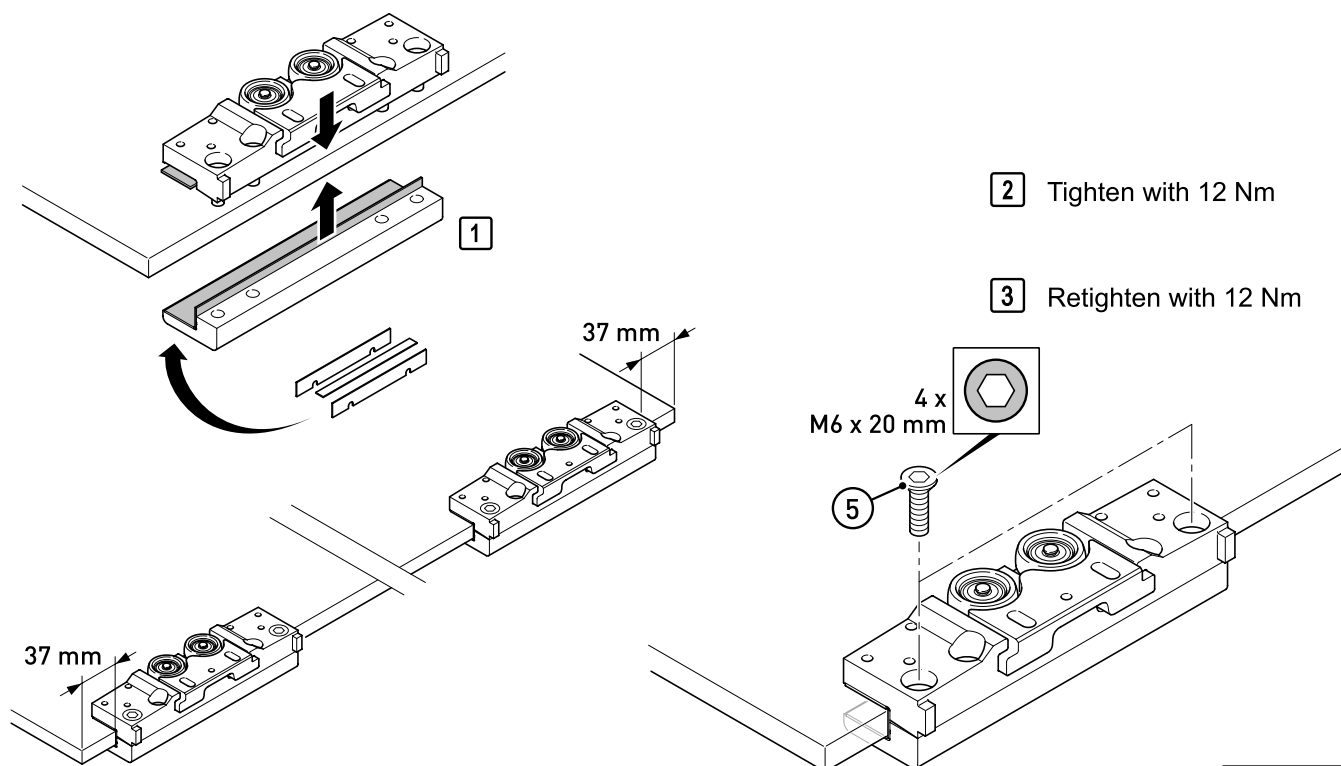
0910.EV166.013



vitris

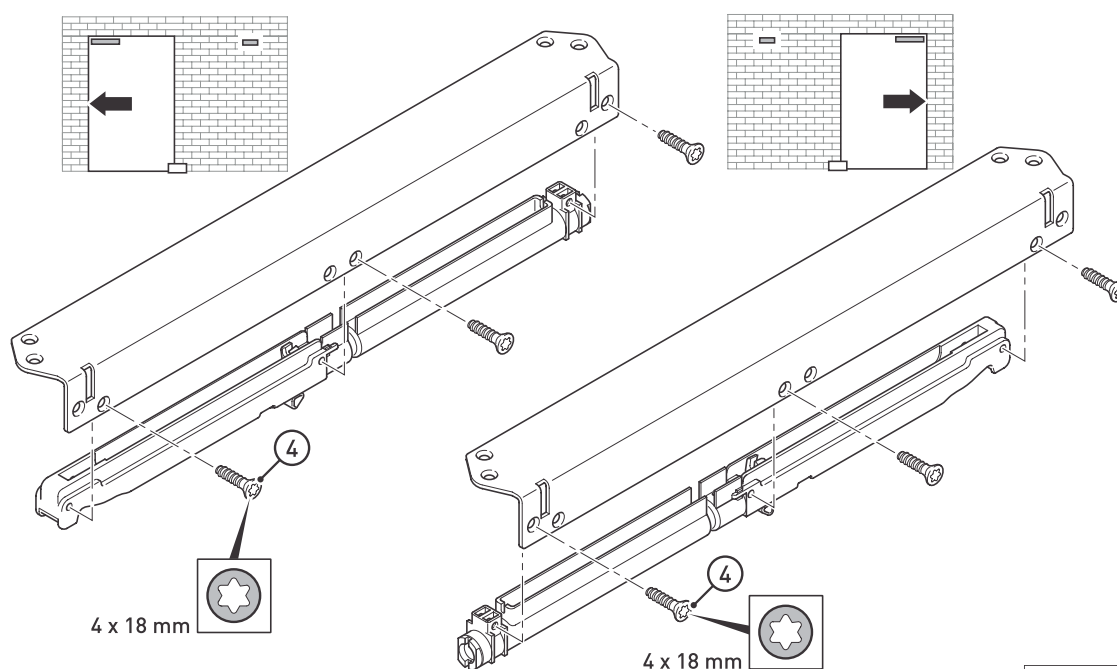
Door fittings

Assembly of roller assemblies



0910.EV166.014

Assembly of the cushioning system



1005.EV166.238



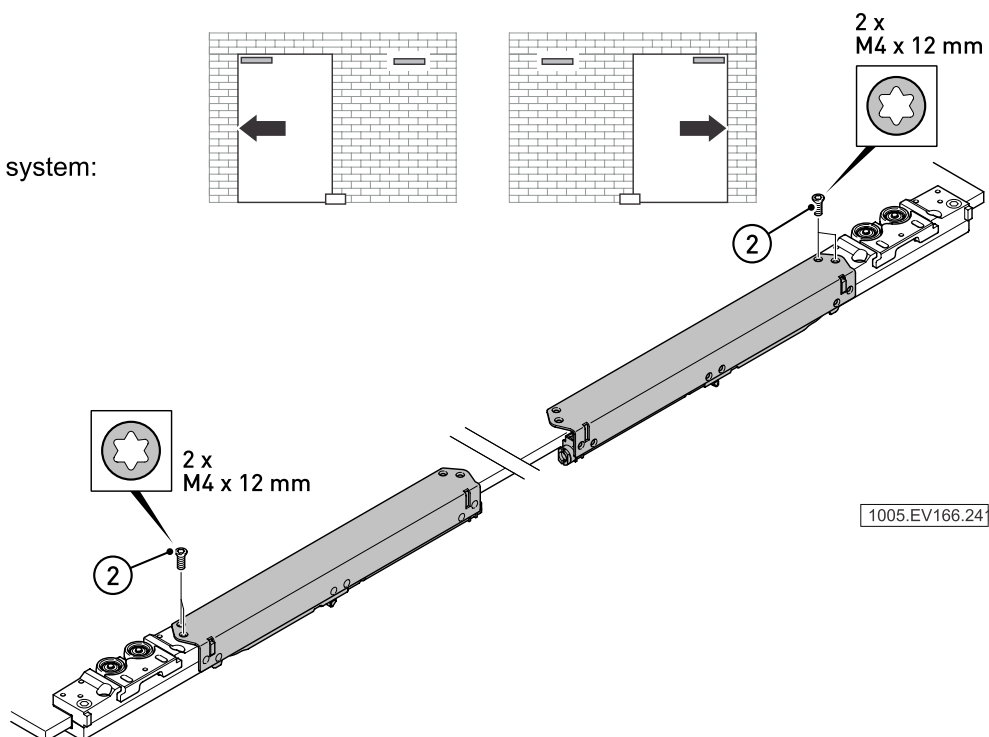
vitris

Assembly of sliding door

Variation:

Cushioning on both sides

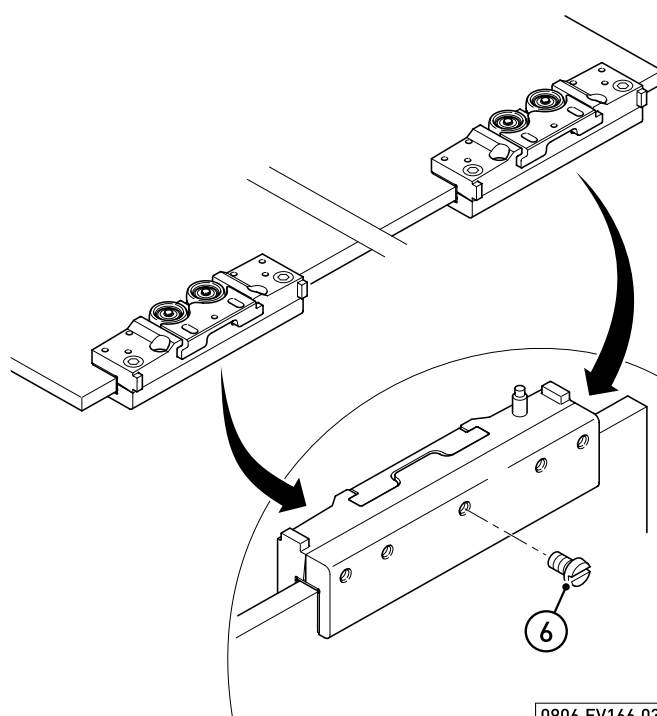
Installation of cushioning system:
doors up to 80 kg



Variation:

No cushioning

Preparation return stops:
doors up to 120 kg
Fix the screw no. 6 only lightly!

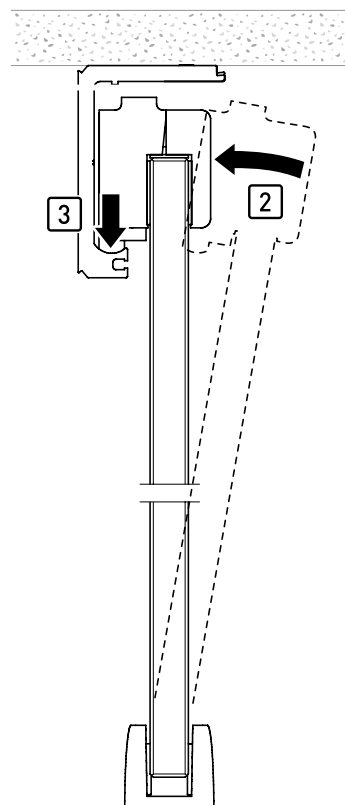
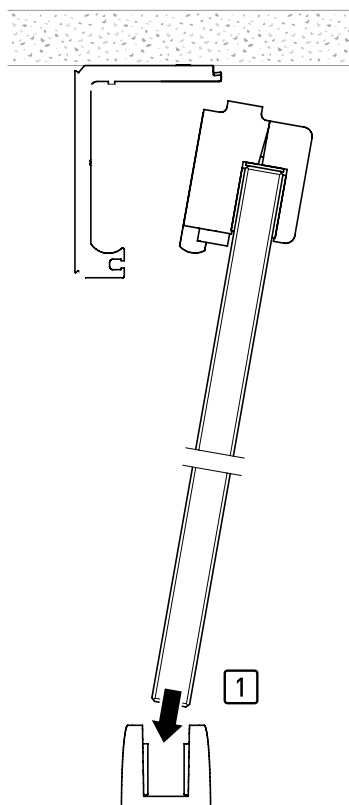




vitris

Assembly

Suspending sliding door

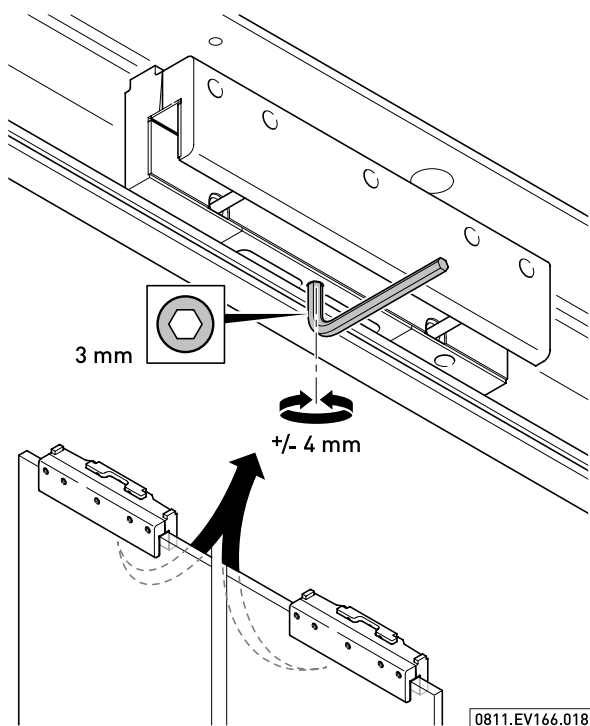


0806.EV166.017

vitris

Adjustments

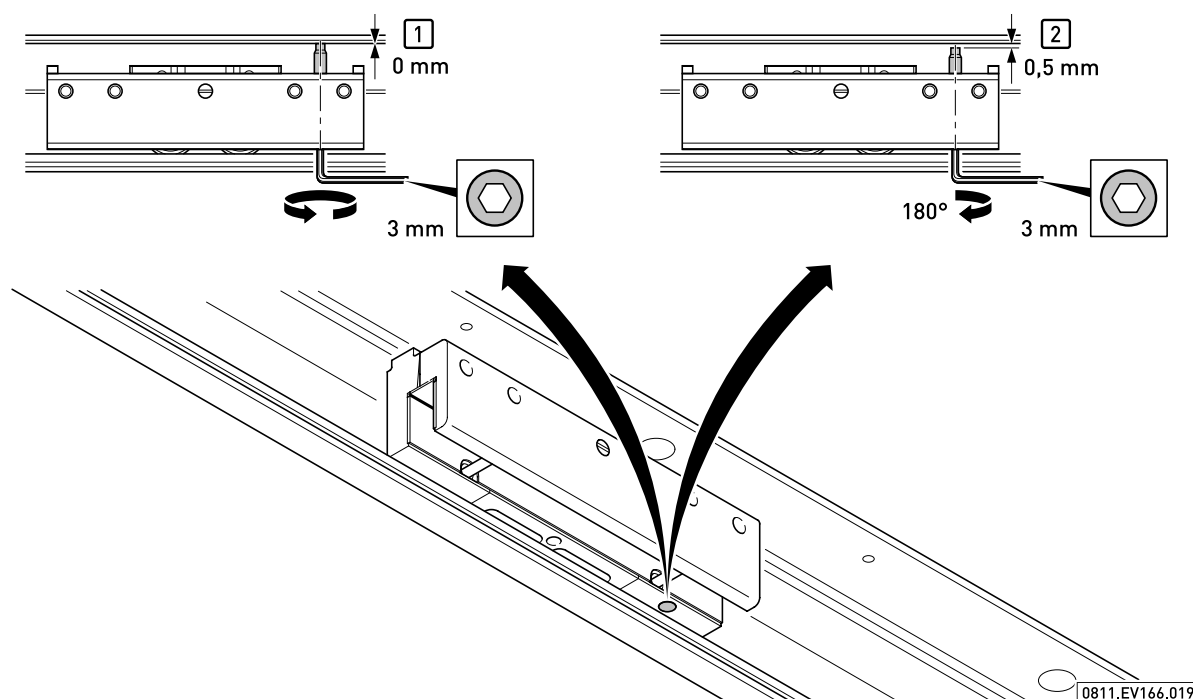
Height adjustment



Danger!

The glass sliding door may jump out of the top track if there is no safety catch.
– Adjust the safety catch as described below.

Adjustment of the safety catch



Portavant 120 - instrucțiuni de montaj

Uși glisante din sticlă, fără ramă și fără șină inferioară

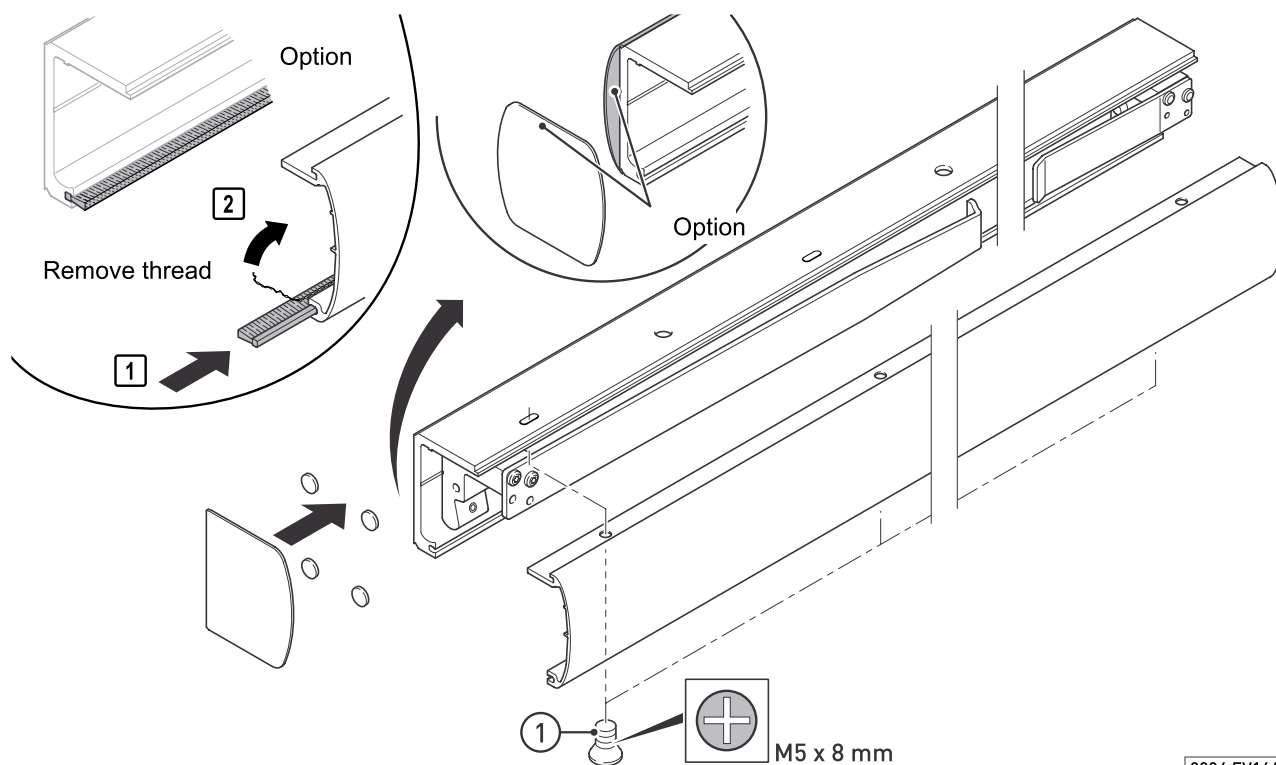


ACCESORIA GROUP
House of innovation

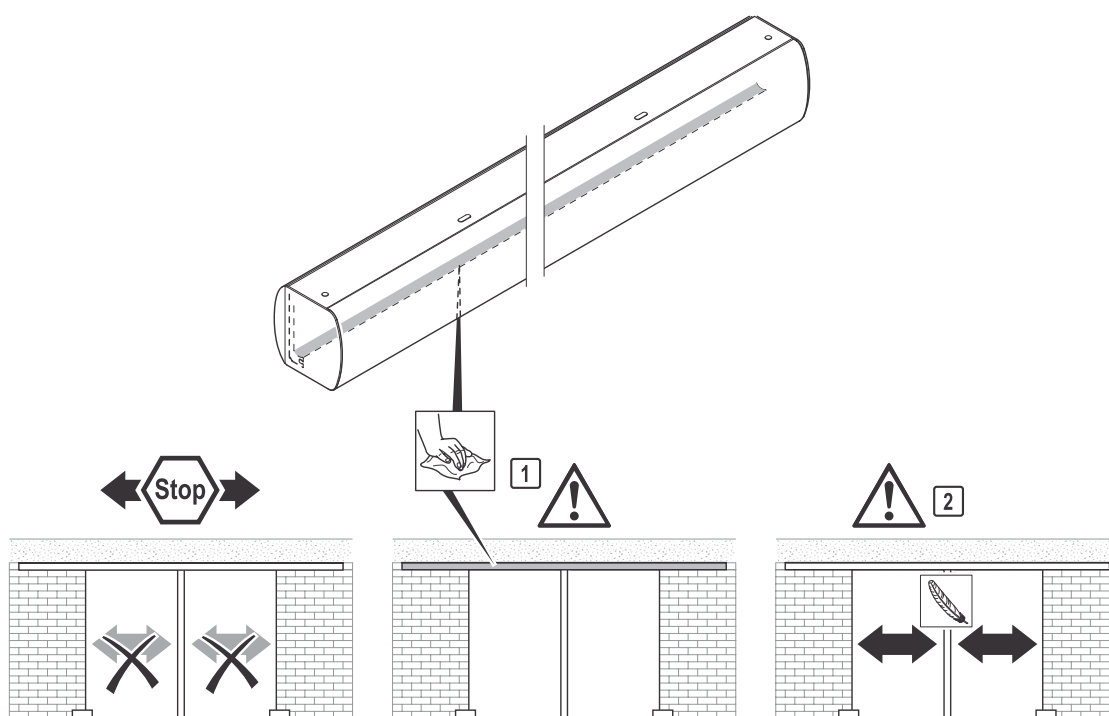
vitris

Final assembly

Assembly of facings and end-plates



Cleaning of top track



1005.EV166.236